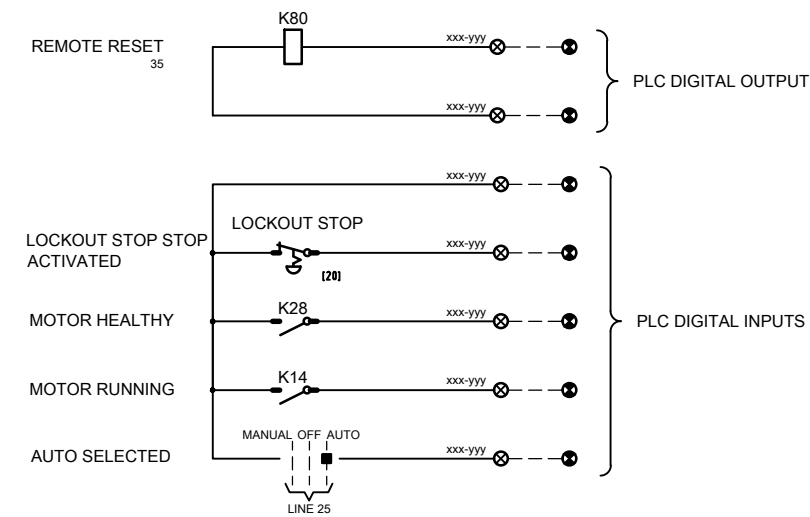


NOTES

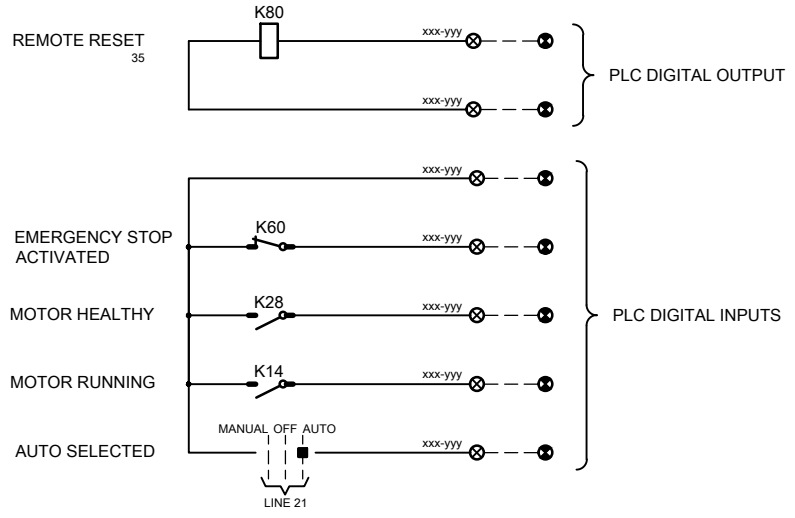
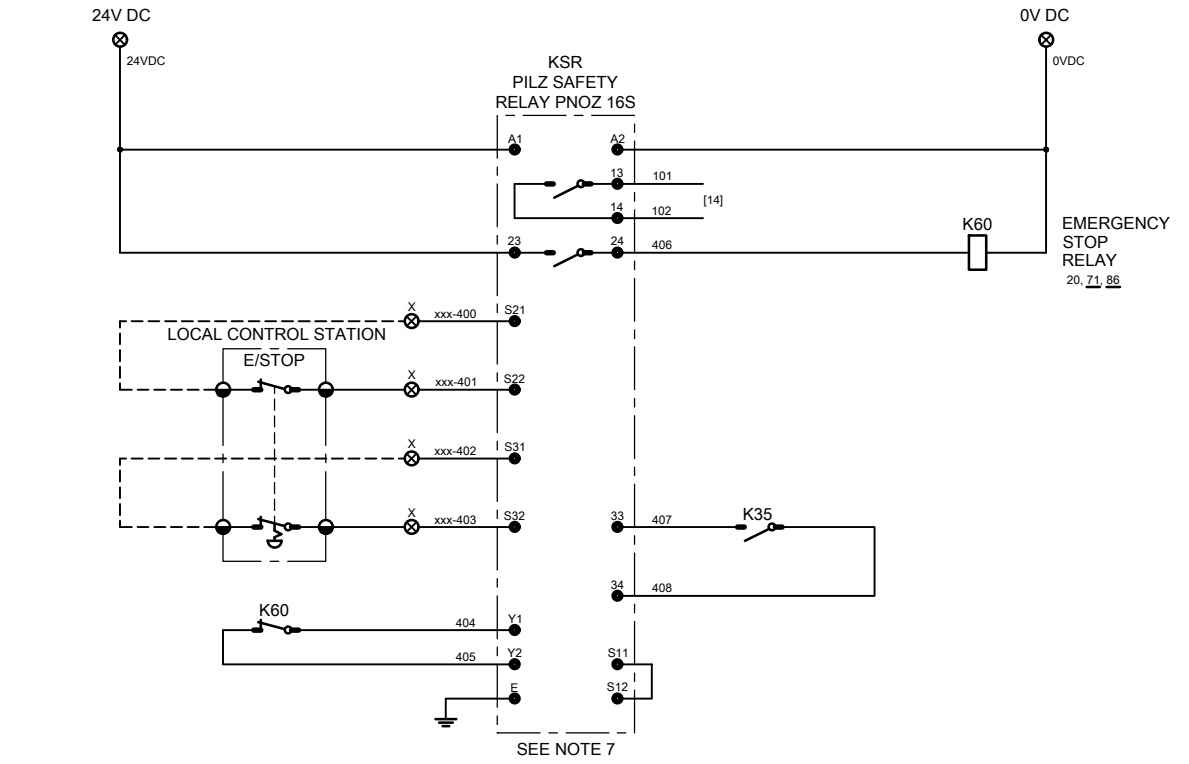
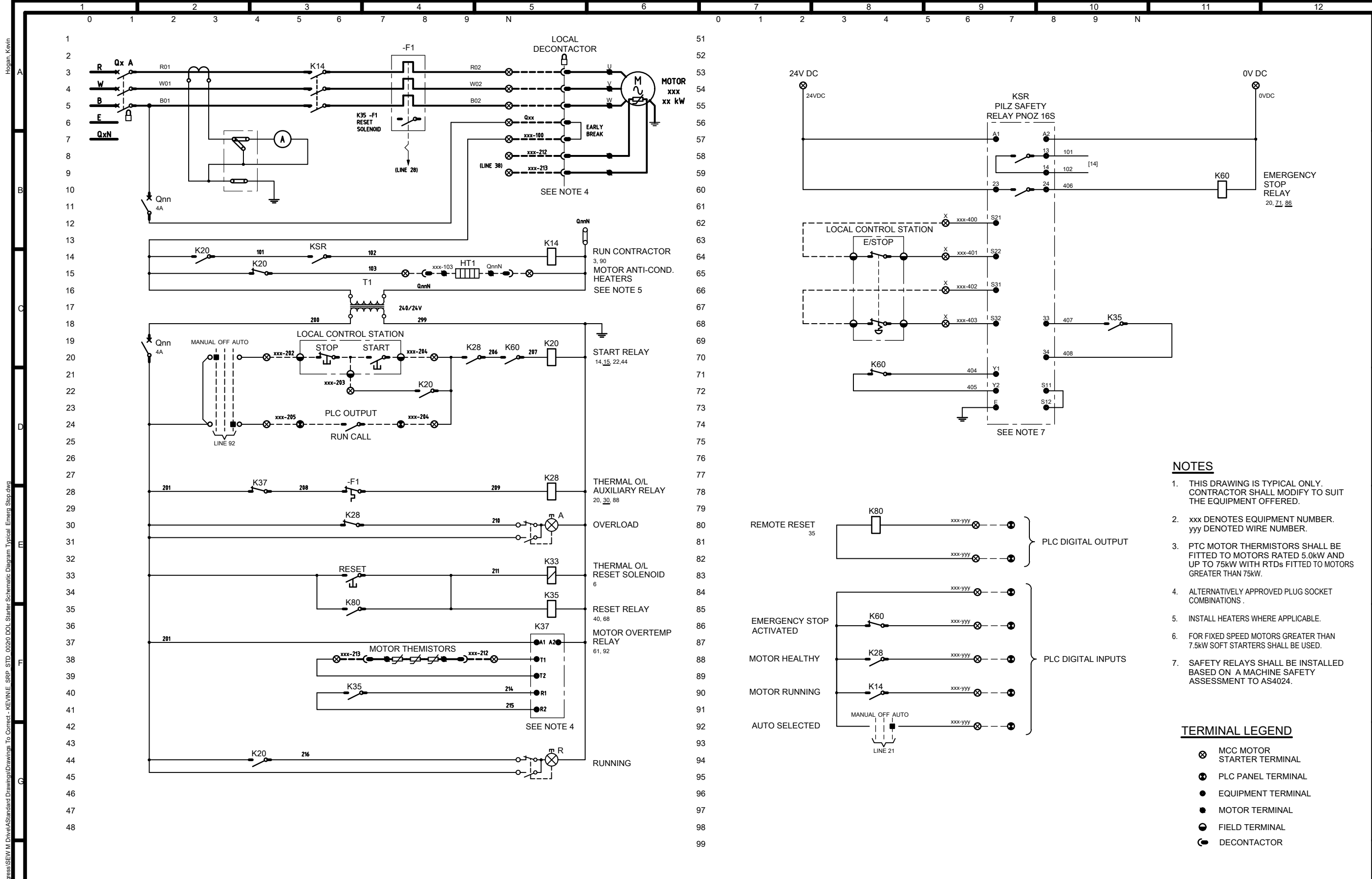
- THIS DRAWING IS TYPICAL ONLY. CONTRACTOR SHALL MODIFY TO SUIT THE EQUIPMENT OFFERED.
- xxx DENOTES EQUIPMENT NUMBER. yyy DENOTES WIRE NUMBER.
- PTC MOTOR THERMISTORS SHALL BE FITTED TO MOTORS RATED 5.0KW AND UP TO 75KW WITH RTDs FITTED TO MOTORS GREATER THAN 75KW.
- ALTERNATIVELY APPROVED PLUG SOCKET COMBINATIONS.
- INSTALL HEATERS WHERE APPLICABLE.
- FOR FIXED SPEED MOTORS GREATER THAN 7.5KW SOFT STARTERS SHALL BE USED.



TERMINAL LEGEND

- ⊗ MCC MOTOR STARTER TERMINAL
- ⊙ PLC PANEL TERMINAL
- EQUIPMENT TERMINAL
- MOTOR TERMINAL
- FIELD TERMINAL
- ⊖ DECONTRACTOR

SCALE BAR		DESIGNED J. Myrtilainen 21/6/17	DRAWN J.M. 21/6/17	COMPANY SE WATER	<p>SOUTH EAST WATER ADM BY 046 902 547 101 WELLS ST FRANKSTON 3199</p>	ELECTRICAL STANDARDS MOTOR STARTER DOL STARTER WITH LOCKOUT STOP SCHEMATIC DIAGRAM (TYPICAL)		DO NOT SCALE	
0	DRAWN FOR SEW TREATMENT PLANT STANDARDS	21/6/17	J.M.	DESIGN CHECK J.M. 21/6/17		DRAFT CHECK J.M. 21/6/17	APPROVED J.M. 21/6/17	SCALE:	
REV.	ZONE	REVISION	DATE	APP'D		21/6/17		E-SRP-STD-001	0



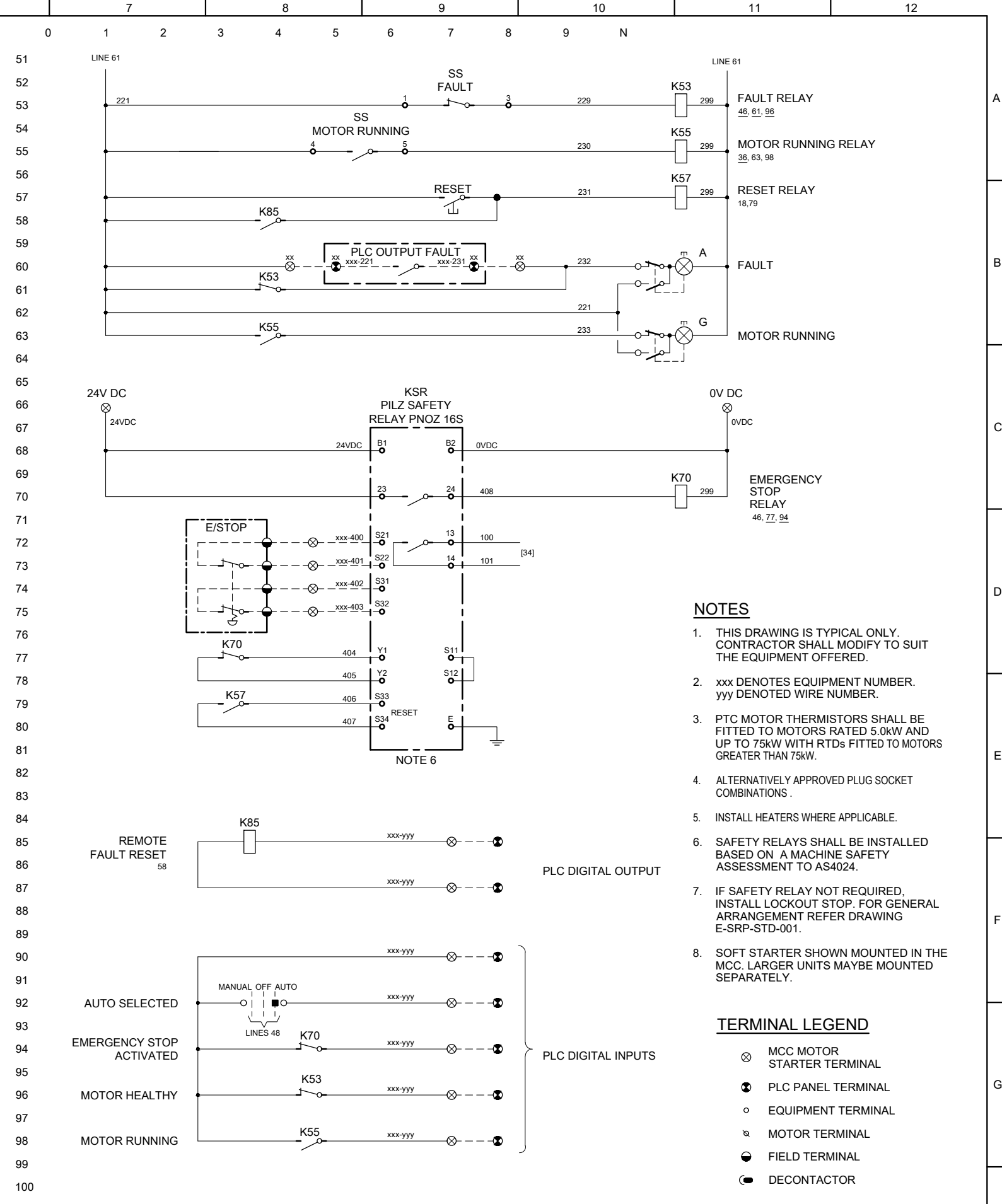
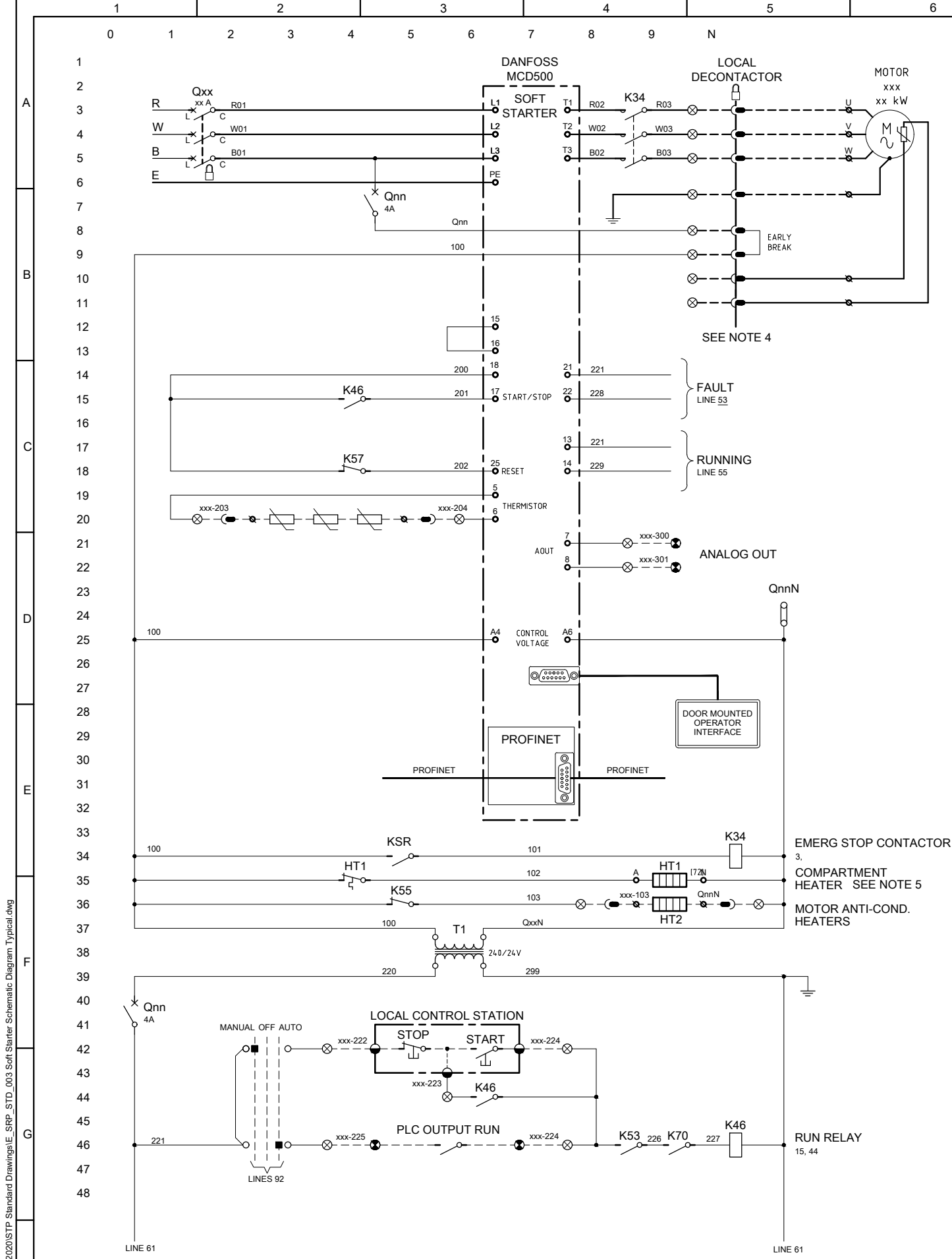
- NOTES**
- THIS DRAWING IS TYPICAL ONLY. CONTRACTOR SHALL MODIFY TO SUIT THE EQUIPMENT OFFERED.
 - xxx DENOTES EQUIPMENT NUMBER. yyy DENOTED WIRE NUMBER.
 - PTC MOTOR THERMISTORS SHALL BE FITTED TO MOTORS RATED 5.0KW AND UP TO 75KW WITH RTDs FITTED TO MOTORS GREATER THAN 75KW.
 - ALTERNATIVELY APPROVED PLUG SOCKET COMBINATIONS.
 - INSTALL HEATERS WHERE APPLICABLE.
 - FOR FIXED SPEED MOTORS GREATER THAN 7.5KW SOFT STARTERS SHALL BE USED.
 - SAFETY RELAYS SHALL BE INSTALLED BASED ON A MACHINE SAFETY ASSESSMENT TO AS4024.

TERMINAL LEGEND

- ⊗ MCC MOTOR STARTER TERMINAL
- ⊙ PLC PANEL TERMINAL
- EQUIPMENT TERMINAL
- MOTOR TERMINAL
- FIELD TERMINAL
- ⊕ DECONTACTOR

SCALE BAR				DESIGNED J. Myrtilainen 21/6/17	DRAWN J.M. 21/6/17	COMPANY SE WATER	 SOUTH EAST WATER AIN BY 046 902 547 101 WELLS ST FRANKSTON 3199	ELECTRICAL STANDARDS MOTOR STARTER DOL STARTER WITH EMERGENCY STOP SCHEMATIC DIAGRAM (TYPICAL)		DO NOT SCALE SCALE: _____ DRAWING NUMBER E-SRP-STD-002		
0	DRAWN FOR SEW TREATMENT PLANT STANDARDS			21/6/17	J.M.	APPROVED J.M.		0		NUMERAL 0		REV
REV.	ZONE	REVISION	DATE	APP'D								

M:\Shared\W&E Drawings In Progress\SEW M Drive\AS\Standard Drawings\Drawings To Correct - KEVINIE SRP STD 0020 DOL Starter Schematic Diagram Typical Emern Stop.dwg
 Hogan, Kevin



- NOTES**
- THIS DRAWING IS TYPICAL ONLY. CONTRACTOR SHALL MODIFY TO SUIT THE EQUIPMENT OFFERED.
 - xxx DENOTES EQUIPMENT NUMBER. yyy DENOTED WIRE NUMBER.
 - PTC MOTOR THERMISTORS SHALL BE FITTED TO MOTORS RATED 5.0kW AND UP TO 75kW WITH RTDs FITTED TO MOTORS GREATER THAN 75kW.
 - ALTERNATIVELY APPROVED PLUG SOCKET COMBINATIONS.
 - INSTALL HEATERS WHERE APPLICABLE.
 - SAFETY RELAYS SHALL BE INSTALLED BASED ON A MACHINE SAFETY ASSESSMENT TO AS4024.
 - IF SAFETY RELAY NOT REQUIRED, INSTALL LOCKOUT STOP. FOR GENERAL ARRANGEMENT REFER DRAWING E-SRP-STD-001.
 - SOFT STARTER SHOWN MOUNTED IN THE MCC. LARGER UNITS MAYBE MOUNTED SEPARATELY.

- TERMINAL LEGEND**
- ⊗ MCC MOTOR STARTER TERMINAL
 - ⊙ PLC PANEL TERMINAL
 - EQUIPMENT TERMINAL
 - ⊗ MOTOR TERMINAL
 - FIELD TERMINAL
 - ⊙ DECONTACTOR

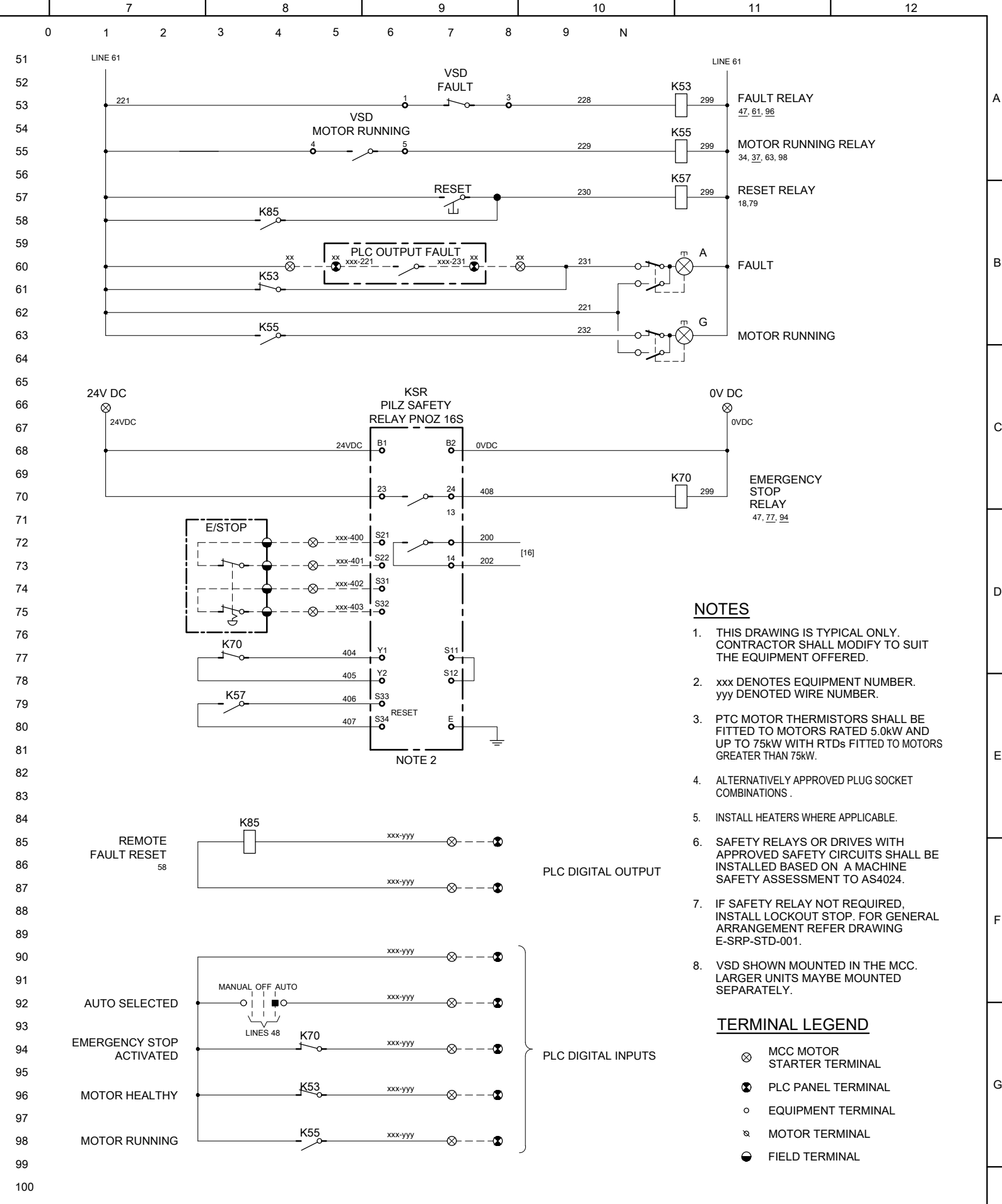
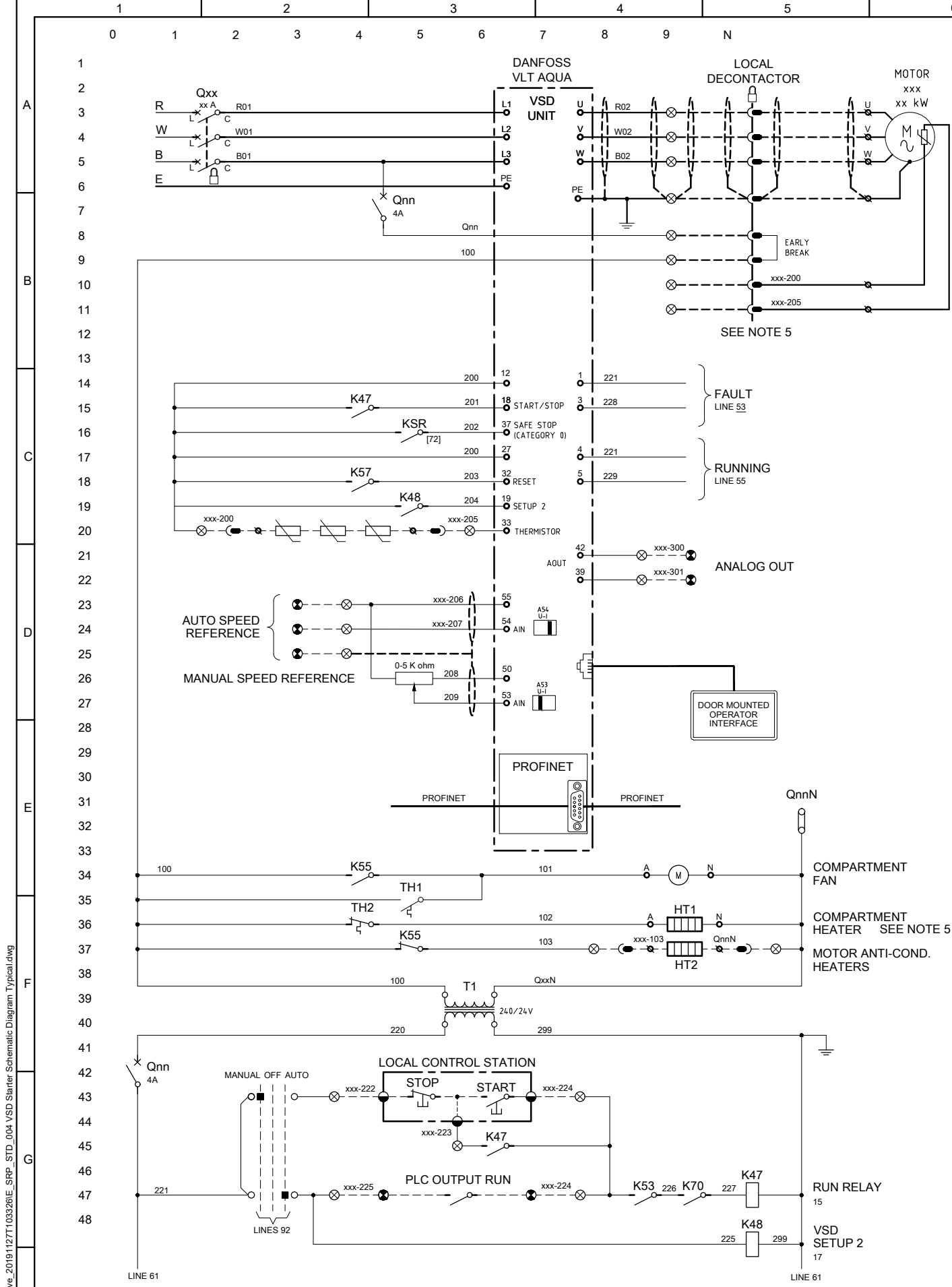
SCALE BAR		DESIGNED J.Myrtilainen 21/6/17	DRAWN J.M. 21/6/17	SEWRA
		DESIGN CHECK J.M. 21/6/17	DRAFT CHECK J.M. 21/6/17	SE WATER
		APPROVED J.M. 21/6/17		
REV.	ZONE	REVISION	DATE	APPD
1		REVISED TO PROFINET & ADDED S/S CONTROL VOLTAGE	27/11/19	M.LIM
0		DRAWN FOR SEW TREATMENT PLANT STANDARDS	21/6/17	J.M.

DO NOT SCALE		
SCALE:		
DRAWING NUMBER		E-SRP-STD-003
NUMERAL		
		1
		REV

ELECTRICAL STANDARDS
MOTOR STARTER
SOFT STARTER
SCHEMATIC DIAGRAM (TYPICAL)

SOUTH EAST WATER
ABN #9 064 952 547
 20 Corporate Drive
 Moorabbin 3189

C:\Michael Backup\17b - New Boards 2020\STP - Standard Drawings\E_SRP_STD_003 Soft Starter Schematic Diagram Typical.dwg



- NOTES**
- THIS DRAWING IS TYPICAL ONLY. CONTRACTOR SHALL MODIFY TO SUIT THE EQUIPMENT OFFERED.
 - xxx DENOTES EQUIPMENT NUMBER. yyy DENOTED WIRE NUMBER.
 - PTC MOTOR THERMISTORS SHALL BE FITTED TO MOTORS RATED 5.0kW AND UP TO 75kW WITH RTDs FITTED TO MOTORS GREATER THAN 75kW.
 - ALTERNATIVELY APPROVED PLUG SOCKET COMBINATIONS .
 - INSTALL HEATERS WHERE APPLICABLE.
 - SAFETY RELAYS OR DRIVES WITH APPROVED SAFETY CIRCUITS SHALL BE INSTALLED BASED ON A MACHINE SAFETY ASSESSMENT TO AS4024.
 - IF SAFETY RELAY NOT REQUIRED, INSTALL LOCKOUT STOP. FOR GENERAL ARRANGEMENT REFER DRAWING E-SRP-STD-001.
 - VSD SHOWN MOUNTED IN THE MCC. LARGER UNITS MAYBE MOUNTED SEPARATELY.
- TERMINAL LEGEND**
- ⊗ MCC MOTOR STARTER TERMINAL
 - ⊗ PLC PANEL TERMINAL
 - EQUIPMENT TERMINAL
 - ⊗ MOTOR TERMINAL
 - FIELD TERMINAL

REV.	ZONE	REVISION	DATE	APPD
1		REVISED TO PROFINET	27/11/19	M.LIM
0		DRAWN FOR SEW TREATMENT PLANT STANDARDS	21/6/17	J.M.

DESIGNED	DRAWN	SEWRA
J.Myrrlainen 21/6/17	J.M. 21/6/17	
DESIGN CHECK	DRAFT CHECK	SE WATER
J.M. 21/6/17	J.M. 21/6/17	
APPROVED		
J.M. 21/6/17		

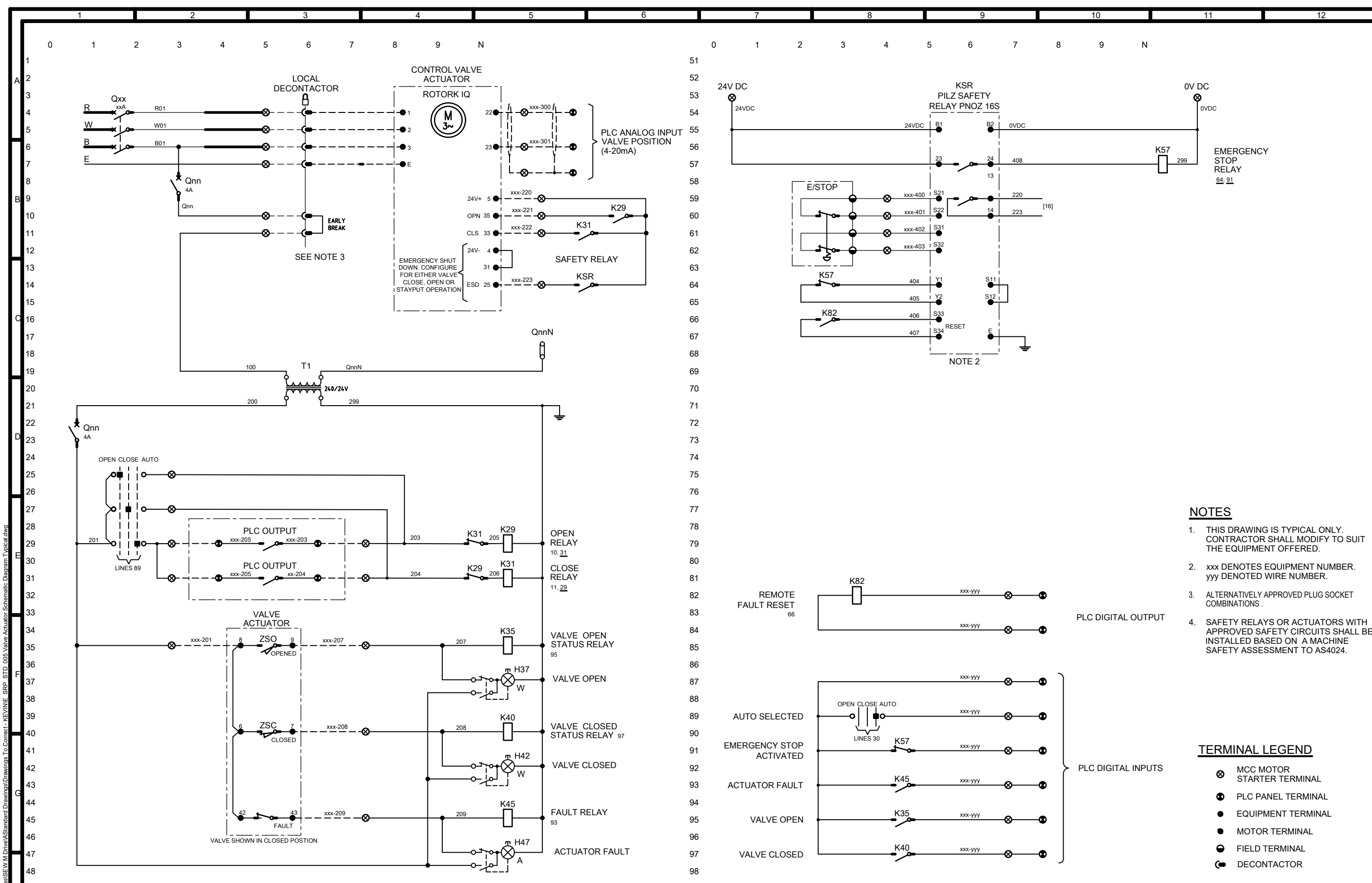
SCALE BAR

DESIGNED J.Myrrlainen 21/6/17
 DRAWN J.M. 21/6/17
 SEWRA
 DESIGN CHECK J.M. 21/6/17
 DRAFT CHECK J.M. 21/6/17
 SE WATER
 APPROVED J.M. 21/6/17

**ELECTRICAL STANDARDS
MOTOR STARTER
VARIABLE SPEED DRIVE
SCHEMATIC DIAGRAM (TYPICAL)**

DO NOT SCALE		
SCALE:		
DRAWING NUMBER		1
E-SRP-STD-004		
NUMERAL	REV	

C:\Users\mim\Downloads\New_Archive_20191127\103920E_SRP_STD_004_VSD Starter Schematic Diagram Typical.dwg



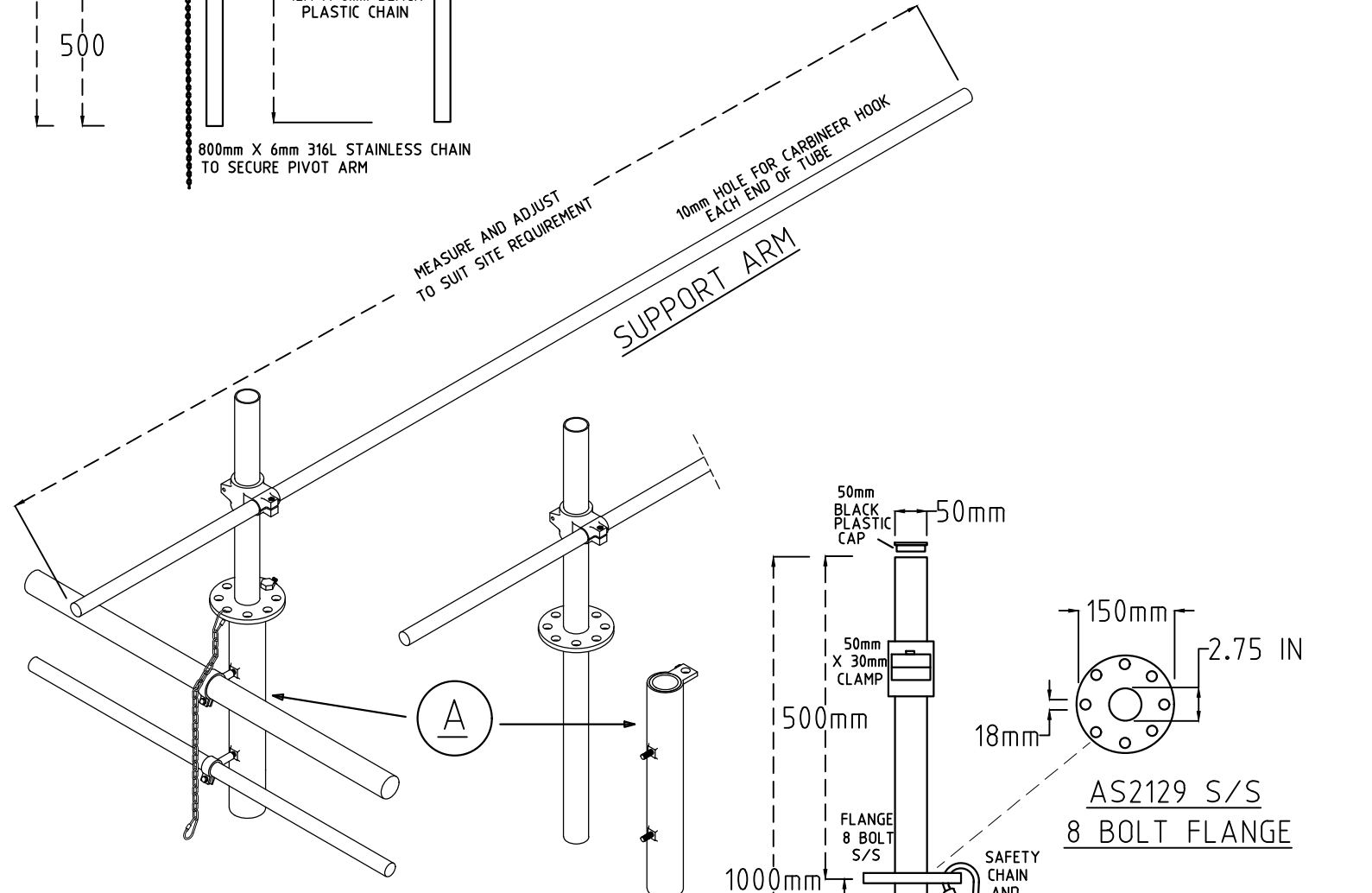
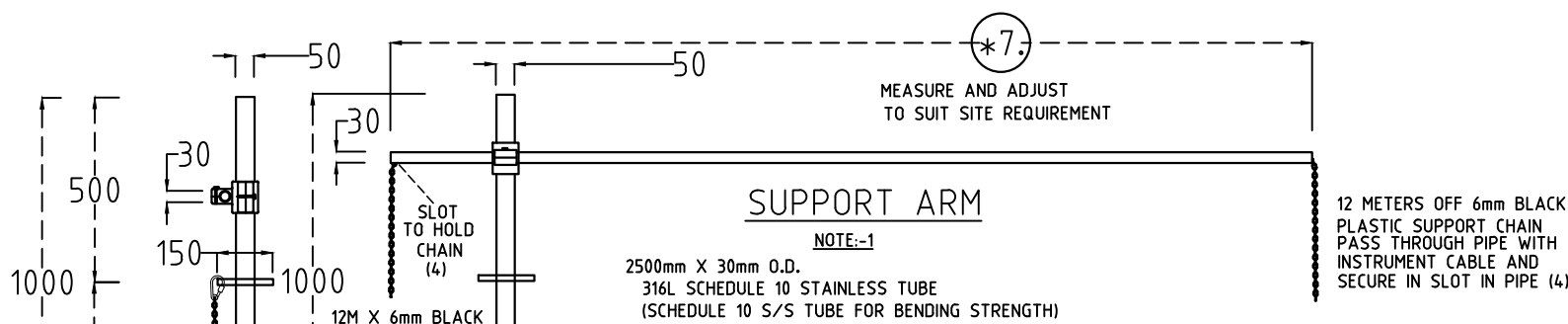
- NOTES**
1. THIS DRAWING IS TYPICAL ONLY. CONTRACTOR SHALL MODIFY TO SUIT THE EQUIPMENT OFFERED.
 2. xxx DENOTES EQUIPMENT NUMBER. yyy DENOTES WIRE NUMBER.
 3. ALTERNATIVELY APPROVED PLUG SOCKET COMBINATIONS.
 4. SAFETY RELAYS OR ACTUATORS WITH APPROVED SAFETY CIRCUITS SHALL BE INSTALLED BASED ON A MACHINE SAFETY ASSESSMENT TO AS4024.

- TERMINAL LEGEND**
- ⊗ MCC MOTOR STARTER TERMINAL
 - PLC PANEL TERMINAL
 - EQUIPMENT TERMINAL
 - MOTOR TERMINAL
 - FIELD TERMINAL
 - ⊖ DECONTRACTOR

SCALE BAR				DESIGNED J. Myrtilainen 21/06/17	DRAWN J.M. 21/06/17	SEWRA	 SOUTH EAST WATER ABN 99 066 902 347 20 Corporate Drive Moorabbin 3109	ELECTRICAL STANDARDS VALVE ACTUATOR		DO NOT SCALE	
				DESIGN CHECK J.M. 21/06/17	DRAFT CHECK J.M. 21/06/17	SE WATER		SCALE:		DRAWING NUMBER	
				APPROVED J.M. 21/06/17				E-SRP-STD-005		0	
REV.	ZONE	REVISION	DATE	APP'D			SCHEMATIC DIAGRAM (TYPICAL)		NUMERAL		REV
0		DRAWN FOR SEW TREATMENT PLANT STANDARDS	21/06/17	J.M.					0		

M:\Shared\M&E Drawings In Progress\SEW, M Drive\Standard Drawings\Drawings To Correct - KEVINE_SRP_STD_005 Valve Actuator Schematic Diagram Typical.dwg

DRAWING NUMBER
E-SRP-STD-006
REV 2

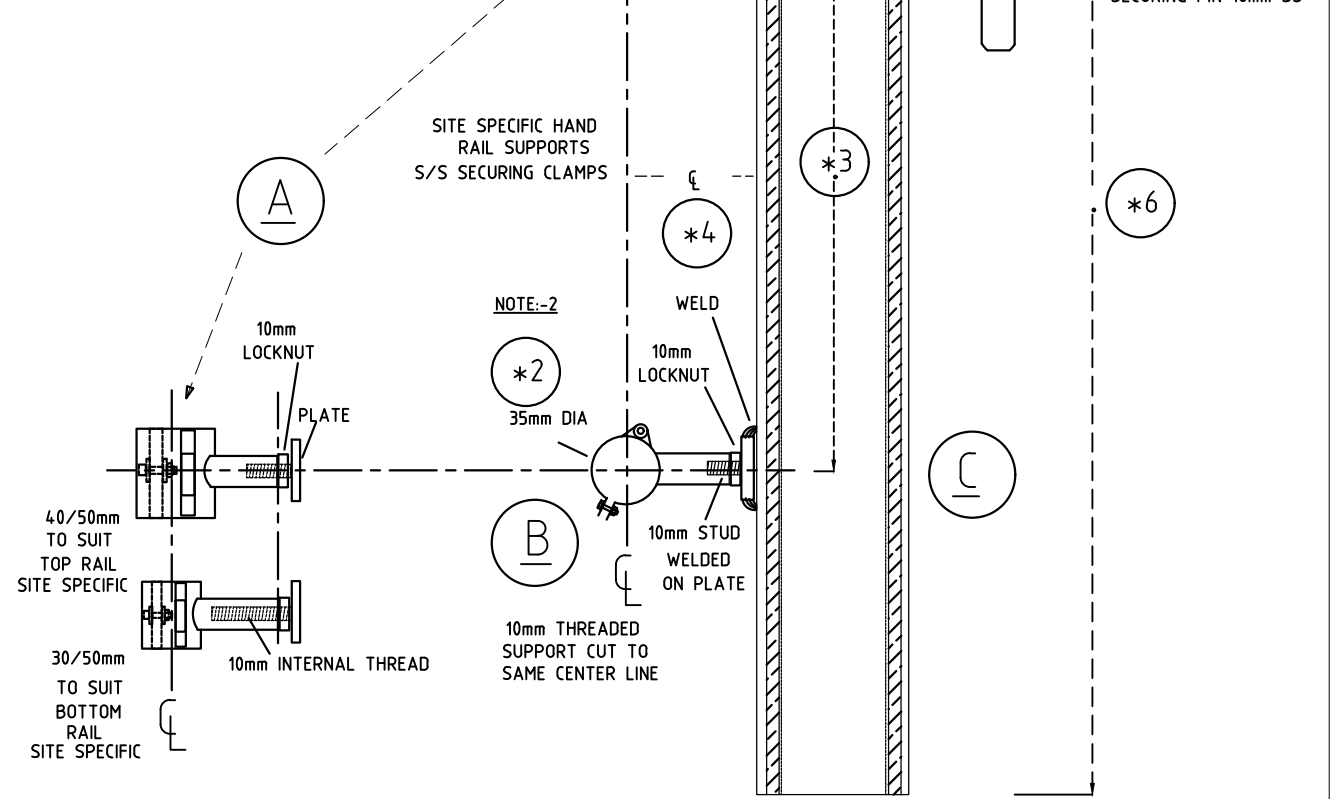
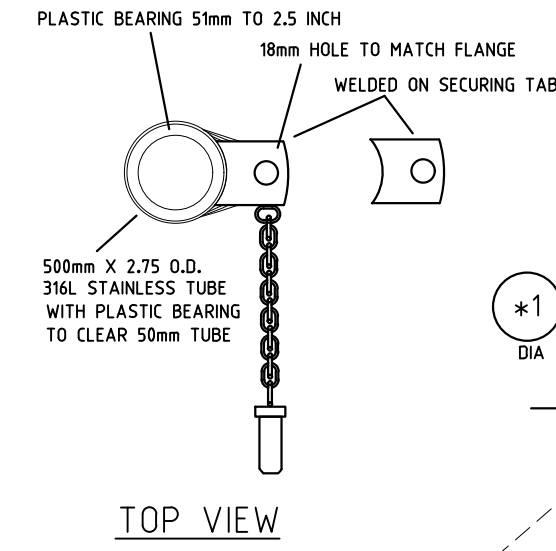


LOCAL DIMENSIONS (FILL IN FOR MANUFACTURE)		
*1	TOP HAND RAIL CLAMP	MM
*2	BOTTOM HAND RAIL CLAMP	MM
*3	CENTER LINE SPACING	MM
*4	CENTER LINE OFFSET	MM
*5	TOP DOWN DIMENSION	MM
*6	SWIVEL SUPPORT LENGTH	MM
*7	SUPPORT ARM LENGTH	MM

REV	ZONE	DESCRIPTION	DATE	APP'D
2		INSTRUMENT CHAIN THROUGH PIPE, SECURED IN SLOT IN PIPE	11.3.20	K.H.
1		RESIZED FOR CLARITY	12.2.20	K.H.
0		NEW DRAWING Rev0	3/02/20	K.H.

- NOTE:**
- SUPPORT TUBE MAY CHANGE DUE TO CHAMBER WIDTH TO MEET CENTER LINE OR AVOID EQUIPMENT
 - SWIVEL TUBE SUPPORT MOUNTING MAY CHANGE TO SUIT RAIL MEASURED AS PER SITE REQUIREMENT
 - 8 BOLT 2.75 INCH HOLE SS FLANGE 150mm O.D.

- CONSTRUCTION NOTES:**
- CONSTRUCTED OF 316L STAINLESS STEEL FITTINGS
 - SUPPORT TUBE BUSHED WITH PLASTIC BEARING WITH CLEARANCE FOR TUBE FITMENT
 - 316L SAFETY CHAIN FITTED FOR ROTATING ARM WITH CARBINEER HOOKS
 - BLACK 6mm PLASTIC CHAIN FITTED THROUGH SUPPORT ARM AND SECURED IN SLOT FOR INSTRUMENT SUSPENDED IN TANK/VAT
 - 316L WELDED ON SAFETY CHAIN FITTED FOR LOCKING PIN
 - 50mm BY 30mm CROSS MOUNTING CLAMP FITTED TO 2500mm SUPPORT ARM
 - 30-50mm HEAVY DUTY CLAMPS (PER SITE) WITH 10mm THREAD & LOCKNUT TO BE FITTED WITH SITE HAND RAIL SPACING **DETAIL A**
 - HANDRAIL CLAMPS TO BE EXTENDED TO SAME CENTERLINE SPACING **DETAIL B**
 - DETAILED HALF SECTION TO SHOW BEARING, SUPPORTS AND DETAILS **DETAIL C**



PIVOT SHAFT RAIL CLAMPS PIVOT SUPPORT

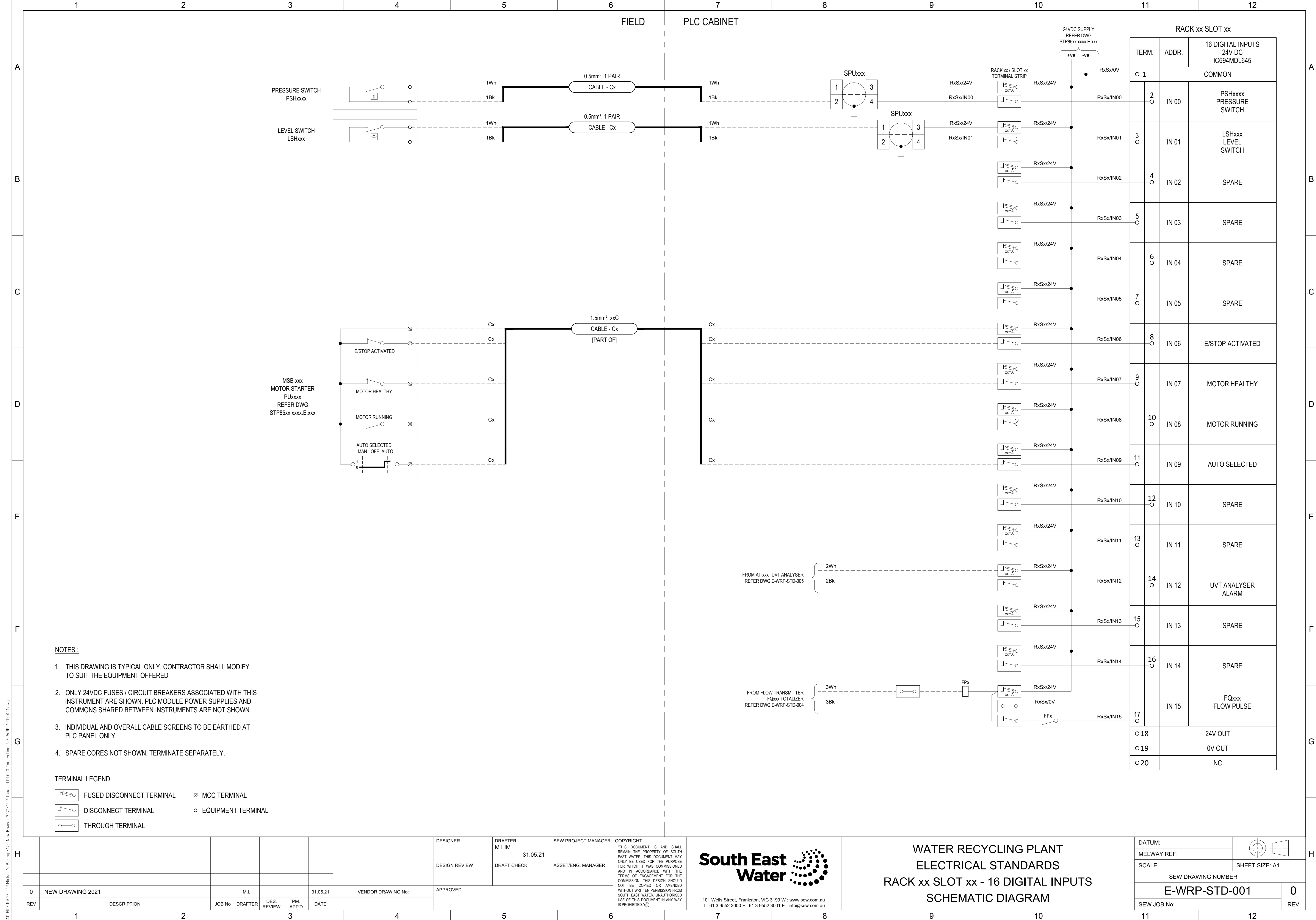
DESIGNED: K.H. PROJECT MGR.
 DRAWN: J.S. DRAFT CHECK
 DESIGN CHECK: J.S. GENERAL FILE NO.
 APPROVED: DATE

South East Water
 SOUTH EAST WATER
 101 WELLS STREET
 FRANKSTON 3199

SEWERAGE TREATMENT PLANTS
 SUSPENDED INSTRUMENT SUPPORT ARM AND SWIVEL
 LAYOUT DIAGRAMS

DO NOT SCALE
 SCALE: NTS
 DRAWING NUMBER
 E-SRP-STD-006
 SHEET OF 12
 REV 2

THE ORIGINAL DRAWING WAS HAND SIGNED BY THE PERSON WHOSE NAME OR INITIALS APPEAR PRINTED AND MARKED THIS IN THE SIGNATURE BLOCKS.



- NOTES :**
- THIS DRAWING IS TYPICAL ONLY. CONTRACTOR SHALL MODIFY TO SUIT THE EQUIPMENT OFFERED
 - ONLY 24VDC FUSES / CIRCUIT BREAKERS ASSOCIATED WITH THIS INSTRUMENT ARE SHOWN. PLC MODULE POWER SUPPLIES AND COMMONS SHARED BETWEEN INSTRUMENTS ARE NOT SHOWN.
 - INDIVIDUAL AND OVERALL CABLE SCREENS TO BE EARTHED AT PLC PANEL ONLY.
 - SPARE CORES NOT SHOWN. TERMINATE SEPARATELY.

TERMINAL LEGEND

	FUSED DISCONNECT TERMINAL		MCC TERMINAL
	DISCONNECT TERMINAL		EQUIPMENT TERMINAL
	THROUGH TERMINAL		

DESIGNER M.LIM	DRAFTER M.LIM 31.05.21	SEW PROJECT MANAGER
DESIGN REVIEW	DRAFT CHECK	ASSET/ENG. MANAGER
APPROVED		

COPYRIGHT
"THIS DOCUMENT IS AND SHALL REMAIN THE PROPERTY OF SOUTH EAST WATER. THIS DOCUMENT MAY ONLY BE USED FOR THE PURPOSE FOR WHICH IT WAS COMMISSIONED AND IN ACCORDANCE WITH THE TERMS OF ENGAGEMENT FOR THE COMMISSION. THIS DESIGN SHOULD NOT BE COPIED OR AMENDED WITHOUT WRITTEN PERMISSION FROM SOUTH EAST WATER. UNAUTHORISED USE OF THIS DOCUMENT IN ANY WAY IS PROHIBITED." ©

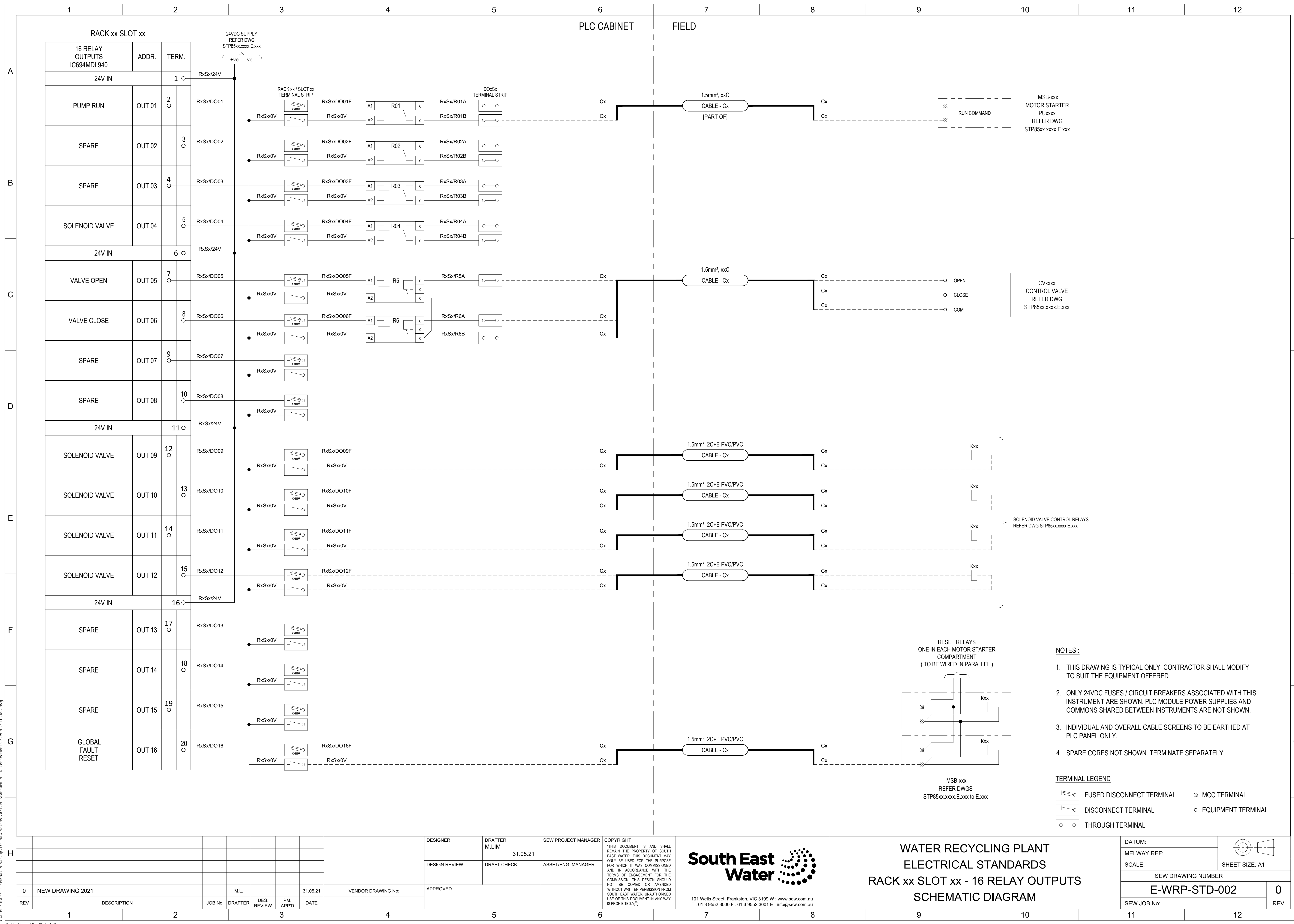
South East Water

101 Wells Street, Frankston, VIC 3199 W : www.sew.com.au
T : 61 3 9552 3000 F : 61 3 9552 3001 E : info@sew.com.au

WATER RECYCLING PLANT
ELECTRICAL STANDARDS
RACK xx SLOT xx - 16 DIGITAL INPUTS
SCHEMATIC DIAGRAM

DATUM:	
MELWAY REF:	
SCALE:	SHEET SIZE: A1
SEW DRAWING NUMBER	
E-WRP-STD-001	
SEW JOB No:	
REV	0

CAD FILE NAME: C:\Michael's Backup\ITC - New Boards\2021\19 Standard PLC IO Connections\1 E-WRP-STD-001.dwg

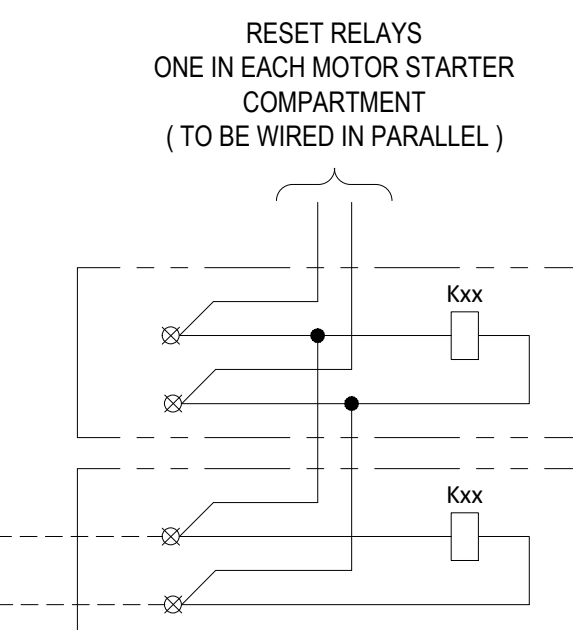


RACK xx SLOT xx		
16 RELAY OUTPUTS IC694MDL940	ADDR.	TERM.
24V IN		1 ○
PUMP RUN	OUT 01	2 ○
SPARE	OUT 02	3 ○
SPARE	OUT 03	4 ○
SOLENOID VALVE	OUT 04	5 ○
24V IN		6 ○
VALVE OPEN	OUT 05	7 ○
VALVE CLOSE	OUT 06	8 ○
SPARE	OUT 07	9 ○
SPARE	OUT 08	10 ○
24V IN		11 ○
SOLENOID VALVE	OUT 09	12 ○
SOLENOID VALVE	OUT 10	13 ○
SOLENOID VALVE	OUT 11	14 ○
SOLENOID VALVE	OUT 12	15 ○
24V IN		16 ○
SPARE	OUT 13	17 ○
SPARE	OUT 14	18 ○
SPARE	OUT 15	19 ○
GLOBAL FAULT RESET	OUT 16	20 ○

MSB-xxx
MOTOR STARTER
PUxxxx
REFER DWG
STP85xx.xxx.E.xxx

CVxxxx
CONTROL VALVE
REFER DWG
STP85xx.xxx.E.xxx

SOLENOID VALVE CONTROL RELAYS
REFER DWG STP85xx.xxx.E.xxx



MSB-xxx
REFER DWGS
STP85xx.xxx.E.xxx

- NOTES:**
- THIS DRAWING IS TYPICAL ONLY. CONTRACTOR SHALL MODIFY TO SUIT THE EQUIPMENT OFFERED
 - ONLY 24VDC FUSES / CIRCUIT BREAKERS ASSOCIATED WITH THIS INSTRUMENT ARE SHOWN. PLC MODULE POWER SUPPLIES AND COMMONS SHARED BETWEEN INSTRUMENTS ARE NOT SHOWN.
 - INDIVIDUAL AND OVERALL CABLE SCREENS TO BE EARTHED AT PLC PANEL ONLY.
 - SPARE CORES NOT SHOWN. TERMINATE SEPARATELY.

TERMINAL LEGEND

	FUSED DISCONNECT TERMINAL		MCC TERMINAL
	DISCONNECT TERMINAL		EQUIPMENT TERMINAL
	THROUGH TERMINAL		

CAD FILE NAME: C:\Michael's Backup\ITC - New Boards 2021\19 - Standard PLC IO Connections\1 - WRP - STD-002.dwg

REV	DESCRIPTION	JOB No	DRAFTER	DES REVIEW	PM APP'D	DATE	VENDOR DRAWING No:
0	NEW DRAWING 2021		M.L.			31.05.21	

DESIGNER	DRAFTER	SEW PROJECT MANAGER
M.LIM	M.LIM	
DESIGN REVIEW	DRAFT CHECK	ASSET/ENG. MANAGER
APPROVED		

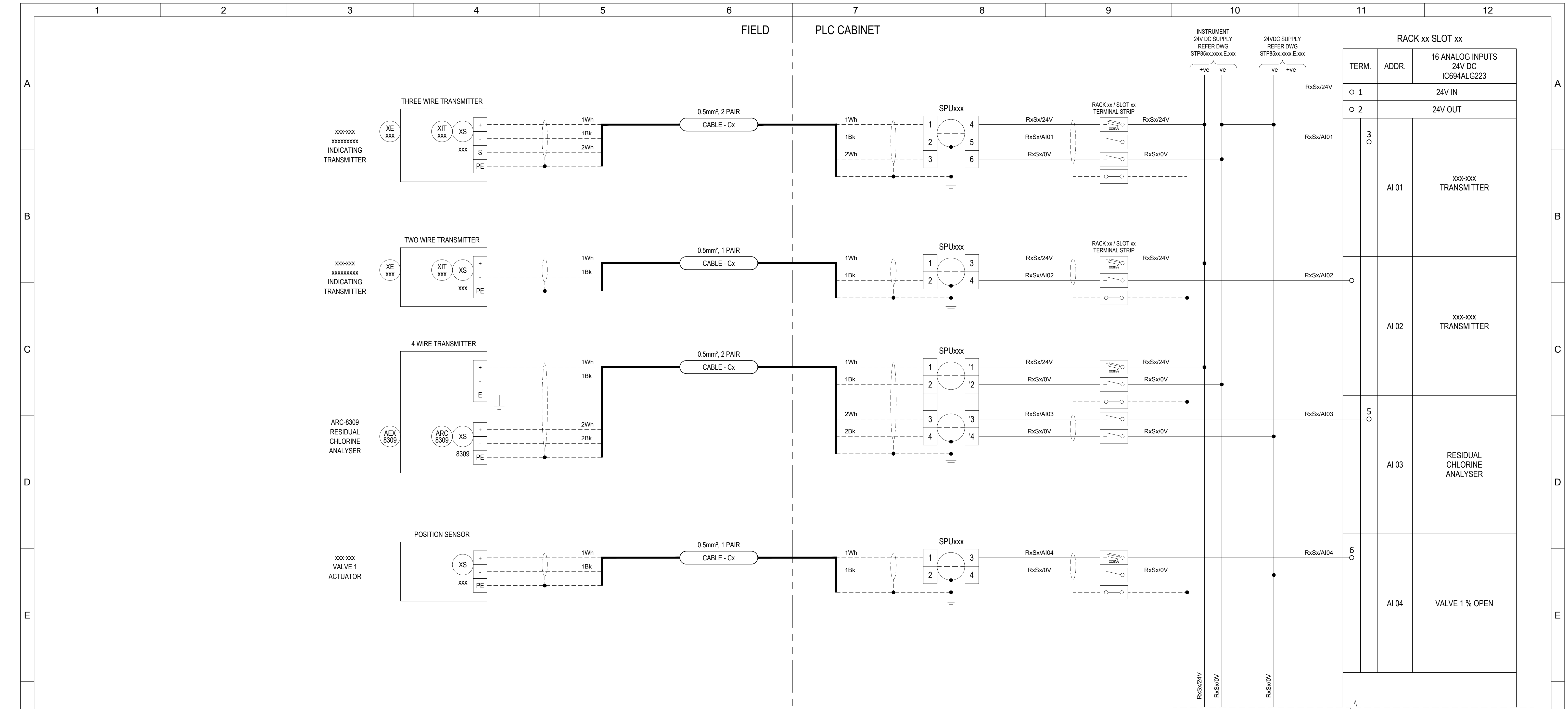
COPYRIGHT
THIS DOCUMENT IS AND SHALL REMAIN THE PROPERTY OF SOUTH EAST WATER. THIS DOCUMENT MAY ONLY BE USED FOR THE PURPOSE FOR WHICH IT WAS COMMISSIONED AND IN ACCORDANCE WITH THE TERMS OF ENGAGEMENT FOR THE COMMISSION. THIS DESIGN SHOULD NOT BE COPIED OR AMENDED WITHOUT WRITTEN PERMISSION FROM SOUTH EAST WATER. UNAUTHORISED USE OF THIS DOCUMENT IN ANY WAY IS PROHIBITED. ©



101 Wells Street, Frankston, VIC 3199 W : www.sew.com.au
T : 61 3 9552 3000 F : 61 3 9552 3001 E : info@sew.com.au

**WATER RECYCLING PLANT
ELECTRICAL STANDARDS
RACK xx SLOT xx - 16 RELAY OUTPUTS
SCHEMATIC DIAGRAM**

DATUM:	
MELWAY REF:	
SCALE:	SHEET SIZE: A1
SEW DRAWING NUMBER	
E-WRP-STD-002	
SEW JOB No:	0
REV	



CONTINUED ON DWG
E-WRP-STD-004

- NOTES :**
- THIS DRAWING IS TYPICAL ONLY. CONTRACTOR SHALL MODIFY TO SUIT THE EQUIPMENT OFFERED
 - ONLY 24VDC FUSES / CIRCUIT BREAKERS ASSOCIATED WITH THIS INSTRUMENT ARE SHOWN. PLC MODULE POWER SUPPLIES AND COMMONS SHARED BETWEEN INSTRUMENTS ARE NOT SHOWN.
 - INDIVIDUAL AND OVERALL CABLE SCREENS TO BE EARTHED AT PLC PANEL ONLY.
 - SPARE CORES NOT SHOWN. TERMINATE SEPARATELY.

TERMINAL LEGEND

	FUSED DISCONNECT TERMINAL		MCC TERMINAL
	DISCONNECT TERMINAL		EQUIPMENT TERMINAL
	THROUGH TERMINAL		

INSTRUMENT SCHEDULE									
SHORTENED TAG NUMBER	DEVICE DESCRIPTION / FUNCTION	INPUT RANGE VALUES	OUTPUT RANGE VALUES	RESISTANCE (ohms)	CONTACTS N/O N/C	POWER SUPPLY V DC/Hz	MANUFACTURER	MODEL No.	REMARKS
XExxx	SENSOR	-	-	-	-	-	-	TBA	-
XITxxx	INDICATING TRANSMITTER	-	4-20mA	-	-	24VDC	-	TBA	-
XSxxx	SURGE DIVERTER	-	-	-	-	-	-	TBA	-
SPUxxx	SURGE DIVERTER	-	-	-	-	-	-	TBA	-
TITxxx	TEMPERATURE INDICATING TRANSMITTER	-	-	-	-	-	-	TBA	-
TExxx	TEMPERATURE ELEMENT	-	-	-	-	-	-	TBA	-

DESIGNER	M.LIM	SEW PROJECT MANAGER	
DESIGN REVIEW	DRAFT CHECK	ASSET/ENG. MANAGER	
APPROVED			

101 Wells Street, Frankston, VIC 3199 W : www.sew.com.au
T : 61 3 9552 3000 F : 61 3 9552 3001 E : info@sew.com.au

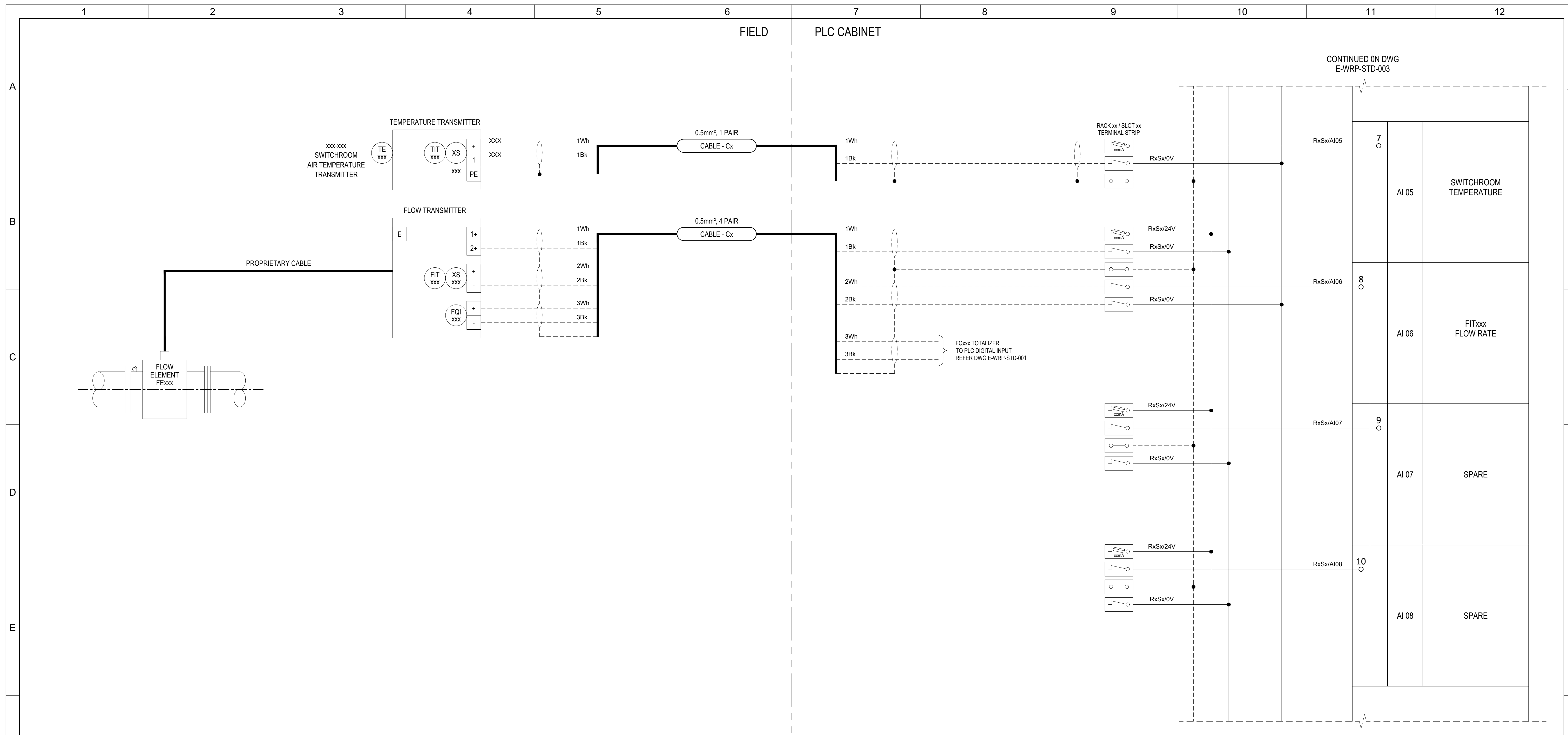
South East Water

COPYRIGHT
THIS DOCUMENT IS AND SHALL REMAIN THE PROPERTY OF SOUTH EAST WATER. THIS DOCUMENT MAY ONLY BE USED FOR THE PURPOSE FOR WHICH IT WAS COMMISSIONED AND IN ACCORDANCE WITH THE TERMS OF ENGAGEMENT FOR THE COMMISSION. THIS DESIGN SHOULD NOT BE COPIED OR AMENDED WITHOUT WRITTEN PERMISSION FROM SOUTH EAST WATER. UNAUTHORISED USE OF THIS DOCUMENT IN ANY WAY IS PROHIBITED. (C)

**WATER RECYCLING PLANT
ELECTRICAL STANDARDS
RACK xx SLOT xx - 16 ANALOG INPUTS
SCHEMATIC DIAGRAM**

DATUM:
MELWAY REF:
SCALE:
SEW DRAWING NUMBER
E-WRP-STD-003
SEW JOB No:

SHEET SIZE: A1
0
REV



CONTINUED ON DWG
E-WRP-STD-003

CONTINUED ON DWG
E-WRP-STD-005

- NOTES :**
- THIS DRAWING IS TYPICAL ONLY. CONTRACTOR SHALL MODIFY TO SUIT THE EQUIPMENT OFFERED
 - ONLY 24VDC FUSES / CIRCUIT BREAKERS ASSOCIATED WITH THIS INSTRUMENT ARE SHOWN. PLC MODULE POWER SUPPLIES AND COMMONS SHARED BETWEEN INSTRUMENTS ARE NOT SHOWN.
 - INDIVIDUAL AND OVERALL CABLE SCREENS TO BE EARTHED AT PLC PANEL ONLY.
 - SPARE CORES NOT SHOWN. TERMINATE SEPARATELY.

TERMINAL LEGEND

	FUSED DISCONNECT TERMINAL		MCC TERMINAL
	DISCONNECT TERMINAL		EQUIPMENT TERMINAL
	THROUGH TERMINAL		

INSTRUMENT SCHEDULE									
SHORTENED TAG NUMBER	DEVICE DESCRIPTION / FUNCTION	INPUT RANGE VALUES	OUTPUT RANGE VALUES	RESISTANCE (ohms)	CONTACTS N/O N/C	POWER SUPPLY V DC/Hz	MANUFACTURER	MODEL No.	REMARKS
FExxx	MAGNETIC FLOW METER SENSOR	0- L/s	-	-	-	-	-	TBA	-
FITxxx	FLOW TRANSMITTER	0- L/s	4-20mA	-	-	24VDC	-	TBA	-
FQIxxx	FLOW TOTAL INDICATOR	-	10KL/PULSE	N/A	-	24VDC	-	TBA	-
XSxxx	SURGE DIVERTER	-	-	-	-	-	-	TBA	-
-	-	-	-	-	-	-	-	-	-
-	-	-	-	-	-	-	-	-	-

DESIGNER	M.LIM	SEW PROJECT MANAGER	
DESIGN REVIEW	DRAFT CHECK	ASSET/ENG. MANAGER	
APPROVED			

DRAFTED	31.05.21	
DATE		
VENDOR DRAWING No:		

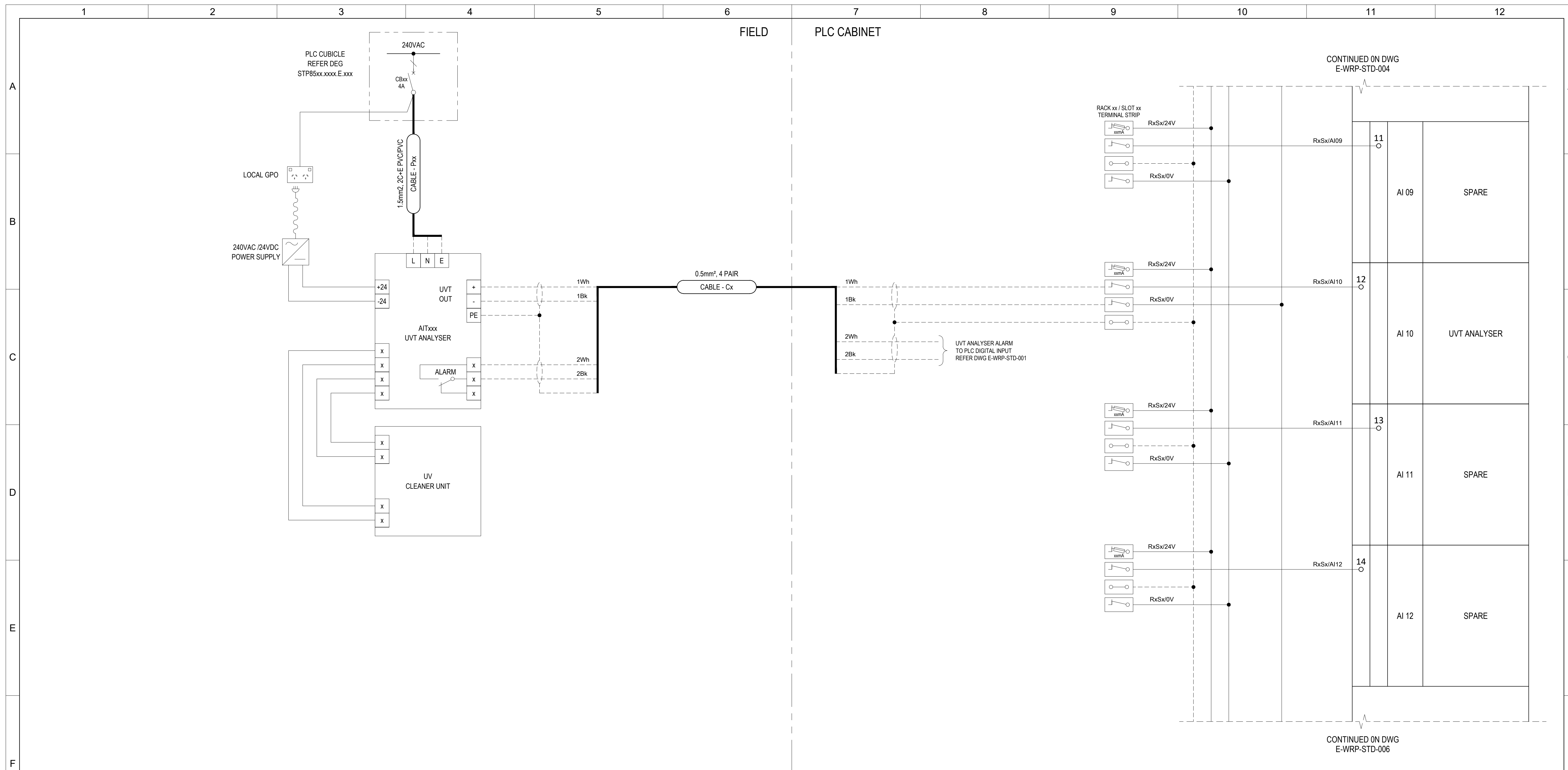
COPYRIGHT
THIS DOCUMENT IS AND SHALL REMAIN THE PROPERTY OF SOUTH EAST WATER. THIS DOCUMENT MAY ONLY BE USED FOR THE PURPOSE FOR WHICH IT WAS COMMISSIONED AND IN ACCORDANCE WITH THE TERMS OF ENGAGEMENT FOR THE COMMISSION. THIS DESIGN SHOULD NOT BE COPIED OR AMENDED WITHOUT WRITTEN PERMISSION FROM SOUTH EAST WATER. UNAUTHORISED USE OF THIS DOCUMENT IN ANY WAY IS PROHIBITED. ©



**WATER RECYCLING PLANT
ELECTRICAL STANDARDS
RACK xx SLOT xx - 16 ANALOG INPUTS
SCHEMATIC DIAGRAM**

DATUM:	
MELWAY REF:	
SCALE:	SHEET SIZE: A1
SEW DRAWING NUMBER	
E-WRP-STD-004	
SEW JOB No:	
REV	0

CAD FILE NAME: C:\Michalek's Backup\ITC - New Boards\2021\19 - Standard PLC IO Connections\1 - WRP-STD-004.dwg



CONTINUED ON DWG
E-WRP-STD-004

CONTINUED ON DWG
E-WRP-STD-006

- NOTES :**
- THIS DRAWING IS TYPICAL ONLY. CONTRACTOR SHALL MODIFY TO SUIT THE EQUIPMENT OFFERED
 - ONLY 24VDC FUSES / CIRCUIT BREAKERS ASSOCIATED WITH THIS INSTRUMENT ARE SHOWN. PLC MODULE POWER SUPPLIES AND COMMONS SHARED BETWEEN INSTRUMENTS ARE NOT SHOWN.
 - INDIVIDUAL AND OVERALL CABLE SCREENS TO BE EARTHED AT PLC PANEL ONLY.
 - SPARE CORES NOT SHOWN. TERMINATE SEPARATELY.

TERMINAL LEGEND

	FUSED DISCONNECT TERMINAL		MCC TERMINAL
	DISCONNECT TERMINAL		EQUIPMENT TERMINAL
	THROUGH TERMINAL		

INSTRUMENT SCHEDULE										
SHORTENED TAG NUMBER	DEVICE DESCRIPTION / FUNCTION	INPUT RANGE VALUES	OUTPUT RANGE VALUES	RESISTANCE (ohms)	CONTACTS N/O	CONTACTS N/C	POWER SUPPLY V DC/Hz	MANUFACTURER	MODEL No.	REMARKS
AITxxx	UV INTENSITY	0-100% T	4-20mA	-	-	-	240V AC	-	-	-
-	FAULT ALARM	-	-	-	-	-	-	-	-	-
-	-	-	-	-	-	-	-	-	-	-
-	-	-	-	-	-	-	-	-	-	-
-	-	-	-	-	-	-	-	-	-	-
-	-	-	-	-	-	-	-	-	-	-

DESIGNER	M.LIM	31.05.21	SEW PROJECT MANAGER
DESIGN REVIEW	DRAFT CHECK		ASSET/ENG. MANAGER
APPROVED			

DESIGNER	M.LIM	31.05.21	SEW PROJECT MANAGER
DESIGN REVIEW	DRAFT CHECK		ASSET/ENG. MANAGER
APPROVED			

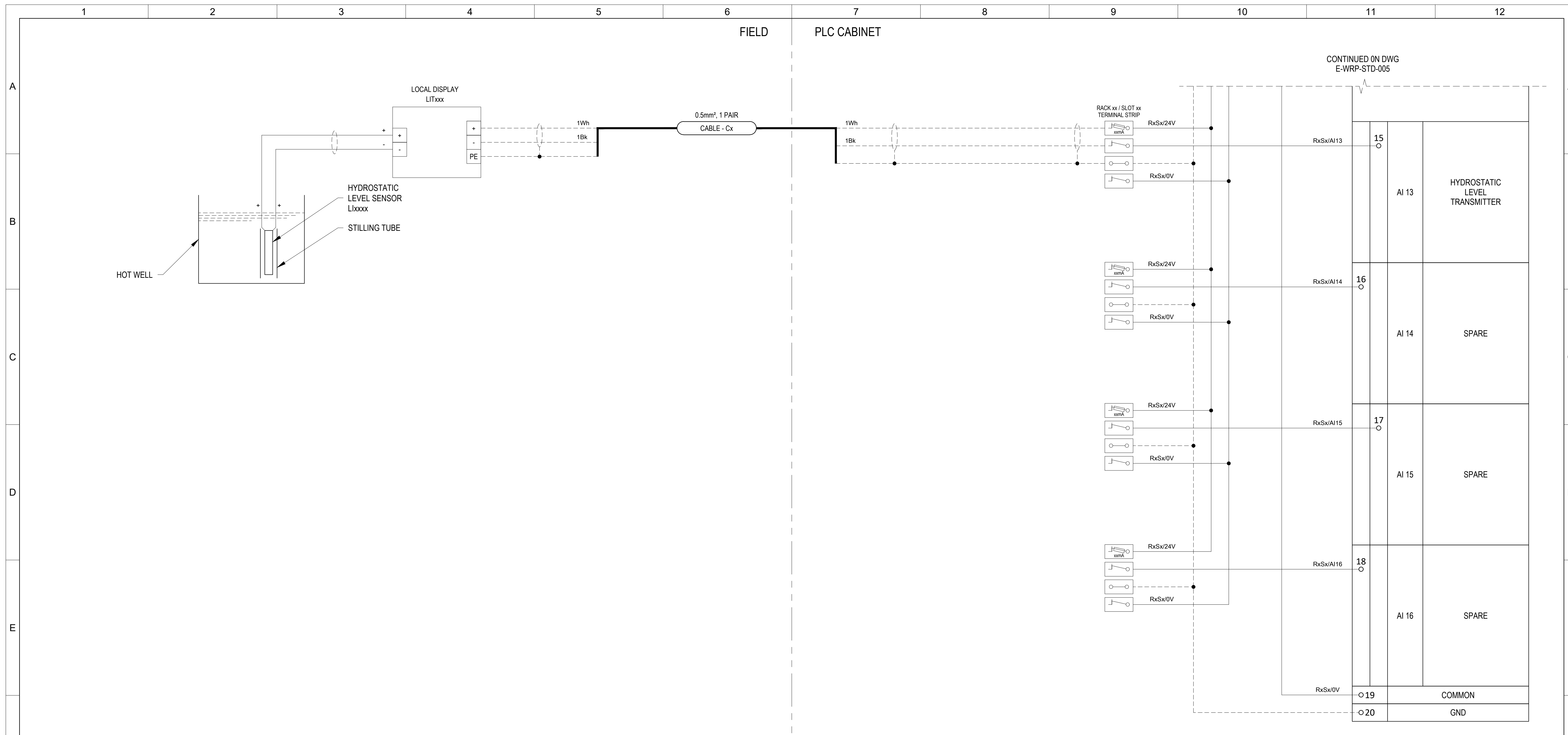
COPYRIGHT
THIS DOCUMENT IS AND SHALL REMAIN THE PROPERTY OF SOUTH EAST WATER. THIS DOCUMENT MAY ONLY BE USED FOR THE PURPOSE FOR WHICH IT WAS COMMISSIONED AND IN ACCORDANCE WITH THE TERMS OF ENGAGEMENT FOR THE COMMISSION. THIS DESIGN SHOULD NOT BE COPIED OR AMENDED WITHOUT WRITTEN PERMISSION FROM SOUTH EAST WATER. UNAUTHORISED USE OF THIS DOCUMENT IN ANY WAY IS PROHIBITED. ©



**WATER RECYCLING PLANT
ELECTRICAL STANDARDS
RACK xx SLOT xx - 16 ANALOG INPUTS
SCHEMATIC DIAGRAM**

DATUM:	
MELWAY REF:	
SCALE:	SHEET SIZE: A1
SEW DRAWING NUMBER	
E-WRP-STD-005	
SEW JOB No:	0
REV	12

CAD FILE NAME: C:\Michael's Backup\ITC - New Boards 2021\19 - Standard PLC IO Connections\1 - E-WRP-STD-005.dwg



CONTINUED ON DWG
E-WRP-STD-005

- NOTES :**
- THIS DRAWING IS TYPICAL ONLY. CONTRACTOR SHALL MODIFY TO SUIT THE EQUIPMENT OFFERED
 - ONLY 24VDC FUSES / CIRCUIT BREAKERS ASSOCIATED WITH THIS INSTRUMENT ARE SHOWN. PLC MODULE POWER SUPPLIES AND COMMONS SHARED BETWEEN INSTRUMENTS ARE NOT SHOWN.
 - INDIVIDUAL AND OVERALL CABLE SCREENS TO BE EARTHED AT PLC PANEL ONLY.
 - SPARE CORES NOT SHOWN. TERMINATE SEPARATELY.

TERMINAL LEGEND

	FUSED DISCONNECT TERMINAL		MCC TERMINAL
	DISCONNECT TERMINAL		EQUIPMENT TERMINAL
	THROUGH TERMINAL		

INSTRUMENT SCHEDULE										
SHORTENED TAG NUMBER	DEVICE DESCRIPTION / FUNCTION	INPUT RANGE VALUES	OUTPUT RANGE VALUES	RESISTANCE (ohms)	CONTACTS N/O	CONTACTS N/C	POWER SUPPLY V DC/Hz	MANUFACTURER	MODEL No.	REMARKS
LITxxxx	LEVEL TRANSMITTER	-	-	-	-	-	24V DC	-	-	-
Lxxxx	LEVEL SENSOR	-	-	-	-	-	-	-	-	-
-	-	-	-	-	-	-	-	-	-	-
-	-	-	-	-	-	-	-	-	-	-
-	-	-	-	-	-	-	-	-	-	-

REV	DESCRIPTION	JOB No	DRAFTER	DES REVIEW	PM APP'D	DATE	VENDOR DRAWING No:
0	NEW DRAWING 2021		M.L.			31.05.21	

DESIGNER	M.LIM	SEW PROJECT MANAGER
DESIGN REVIEW	DRAFT CHECK	ASSET/ENG. MANAGER
APPROVED		

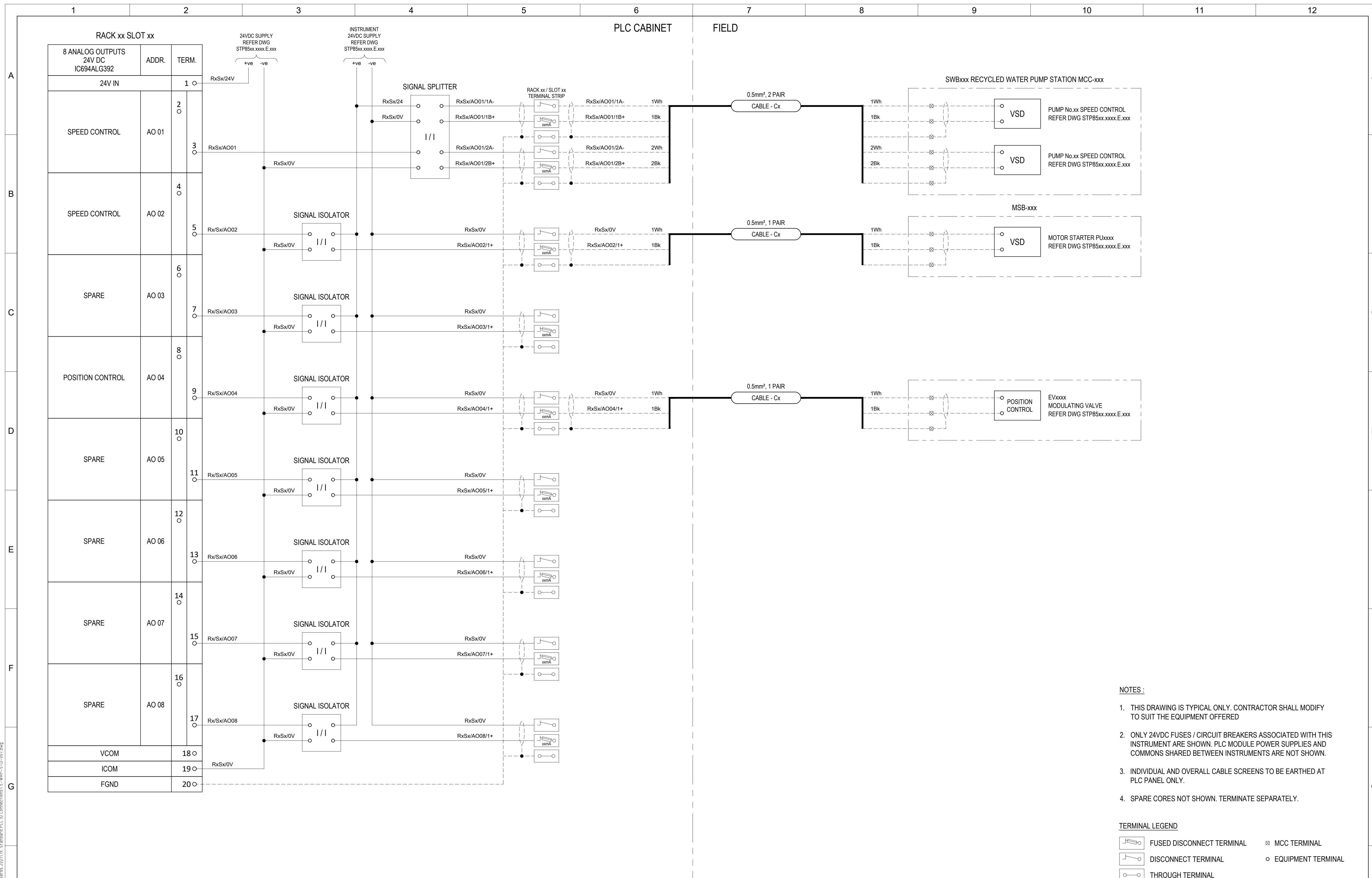
COPYRIGHT
THIS DOCUMENT IS AND SHALL REMAIN THE PROPERTY OF SOUTH EAST WATER. THIS DOCUMENT MAY ONLY BE USED FOR THE PURPOSE FOR WHICH IT WAS COMMISSIONED AND IN ACCORDANCE WITH THE TERMS OF ENGAGEMENT FOR THE COMMISSION. THIS DESIGN SHOULD NOT BE COPIED OR AMENDED WITHOUT WRITTEN PERMISSION FROM SOUTH EAST WATER. UNAUTHORISED USE OF THIS DOCUMENT IN ANY WAY IS PROHIBITED. ©



**WATER RECYCLING PLANT
ELECTRICAL STANDARDS
RACK xx SLOT xx - 16 ANALOG INPUTS
SCHEMATIC DIAGRAM**

DATUM:	
MELWAY REF:	
SCALE:	SHEET SIZE: A1
SEW DRAWING NUMBER	
E-WRP-STD-006	
SEW JOB No:	0
REV	

CAD FILE NAME: C:\Michael's Backup\ITC - New Boards 2021\19 - Standard PLC IO Connections\1 - WRP-STD-006.dwg



REV	DESCRIPTION	JOB No	DRAFTER	DES REVIEW	PM APP'D	DATE	VENDOR DRAWING No:
0	NEW DRAWING 2021		M.L.			31.05.21	

DESIGNER	DRAFTER	SEW PROJECT MANAGER
M.LIM	31.05.21	
DESIGN REVIEW	DRAFT CHECK	ASSET/ENG. MANAGER
APPROVED		

South East Water

101 Wells Street, Frankston, VIC 3199 W : www.sew.com.au
T : 61 3 9552 3000 F : 61 3 9552 3001 E : info@sew.com.au

WATER RECYCLING PLANT
ELECTRICAL STANDARDS
RACK xx SLOT xx - 8 ANALOG OUTPUTS
SCHEMATIC DIAGRAM

DATUM:	
MELWAY REF:	
SCALE:	SHEET SIZE: A1
SEW DRAWING NUMBER	
E-WRP-STD-007	
SEW JOB No:	0
REV	

CAD FILE NAME: C:\Michael's Backup\ITC - New Boards 2021\19 Standard PLC IO Connections\1-E-WRP-STD-007.dwg