

GENERAL TAPPING & BOUNDARY KIT NOTES:

- A. Only South East Water approved products may be used.
- B. Only mechanical fittings are permitted in pressure sewer property service installations.
- C. Join all threaded fittings with Loctite 567 (metal threads), Loctite 55 (plastic threads) or teflon thread seal.
- D. All fittings and pressure products shall be minimum PN16 pressure class.
- E. Use DN40PE, DN50PE, DN63PE & DN90PE pipe.
- F. Minimise the use of adaptors between fittings. Where required, they shall be SS316.
- G. Where pressure service pipe is installed via trenchless construction, install the service with approved stainless steel tracer wire.
- H. Where pressure service is trench installed, place approved detectable marking tape with printing "DANGER - BURIED SEWER MAIN BELOW" on top of embedment directly above the pipe.

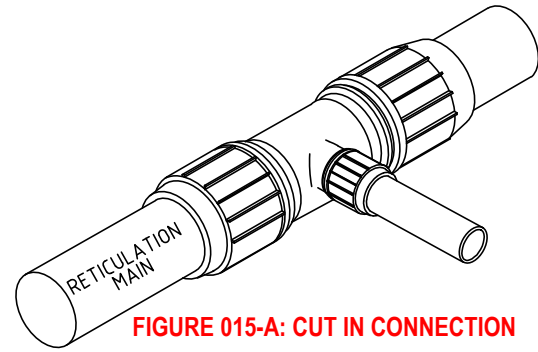


FIGURE 015-A: CUT IN CONNECTION

CUT IN CONNECTION NOTES:

1. Cut in connections shall only be installed **without** a ball valve where the property service is installed at the time of tapping.
2. Cut in connections shall only be undertaken when the main is out of service.

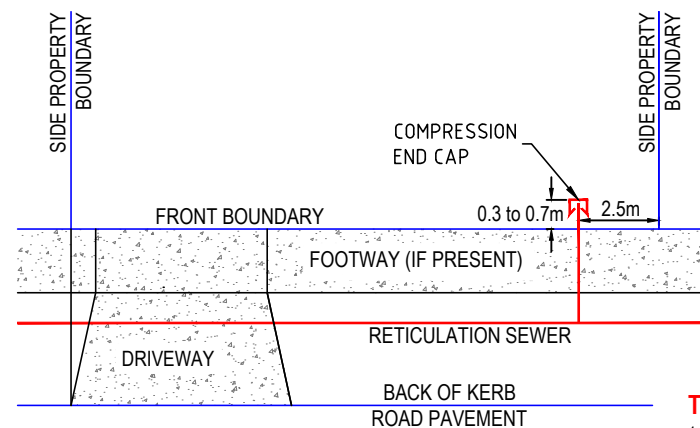


FIGURE 015-B: PROPERTY CONNECTION TIE AND OFFSET FOR NEW DEVELOPMENTS

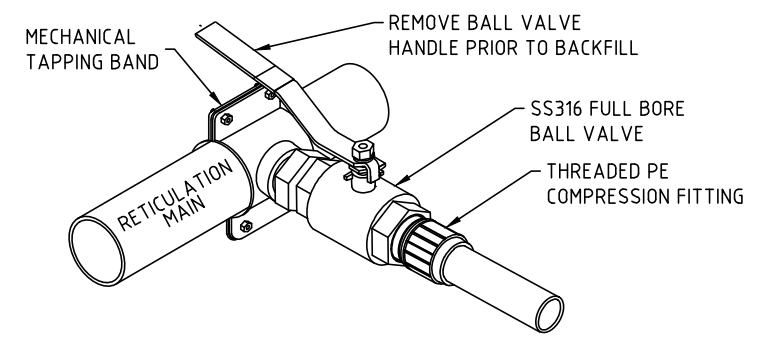


FIGURE 015-C: TAPPING UNDER PRESSURE CONNECTION

TAPPING NOTES:

1. Refer to MRWA-W-107 for information on approved tapping fittings for PE pipes.
2. Reducing Tees and tapping bands with the correct offtake size to match the property service shall be used. Reducing bushes / tapers are not permitted at tappings.
3. Tapping ball valve handles shall be removed prior to backfill.
4. Long side pressure services longer than 30m between the reticulation main and boundary kit shall be upsized one size. eg: DN40PE residential service between pump unit and boundary kit, 32mm standard valve kit, adapting to > 30m of DN50PE pipe from the valve kit to the reticulation main with a DN50PE tapping.

LIVE (HOT) TAPPING NOTES:

- a. Prior to undertaking live tappings, the Contractor shall notify the relevant operations personnel.
- b. Live tapping may be undertaken using squeeze-off technique in combination with a cut in connection (ref Figure 015-A) or using a tapping under pressure (ref Figure 015-C).
- c. After a squeeze off has been completed, wrap adhesive tape labeled "squeeze off applied" around the pipe where it has been squeezed off.
- d. Tappings shall not be undertaken where squeeze off has previously been completed.

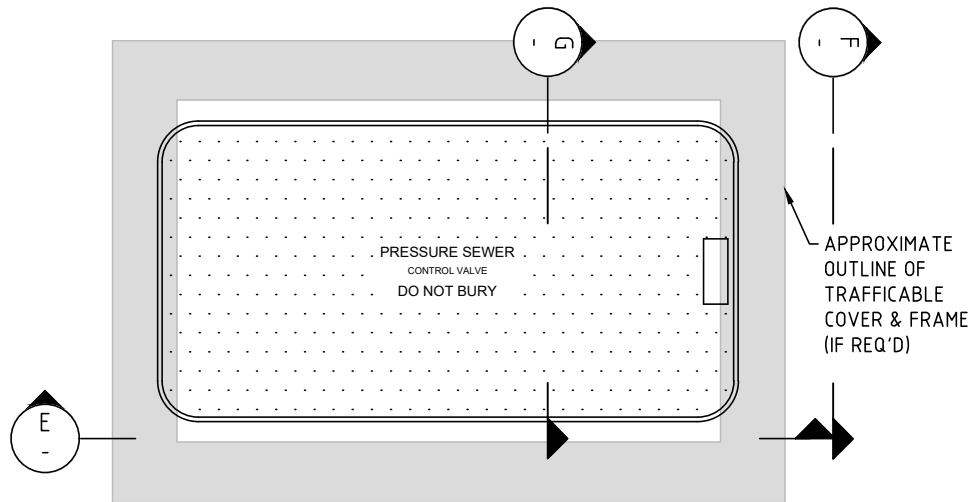


FIGURE 015-D: BOUNDARY KIT PLAN VIEW

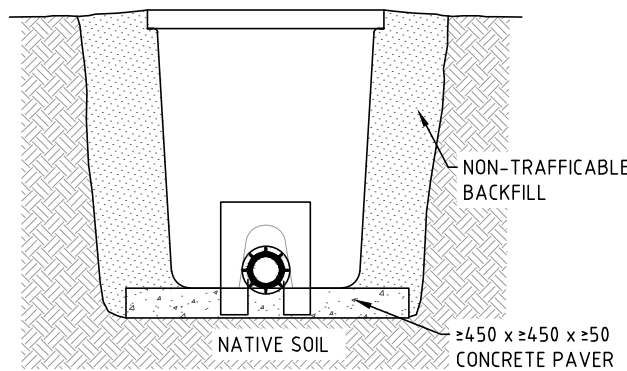


FIGURE 015-F: BOUNDARY KIT SECTION F - NON-TRAFFICABLE

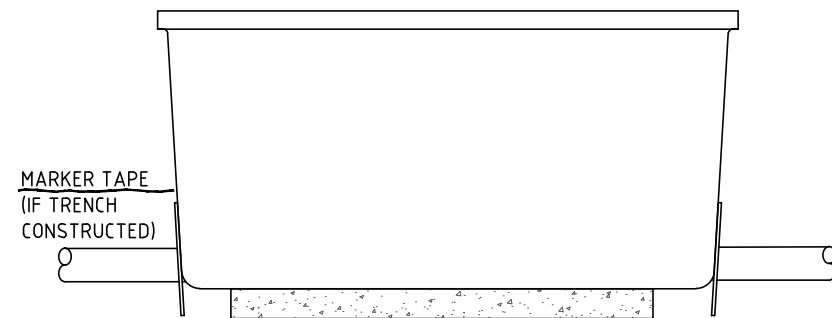


FIGURE 015-E: BOUNDARY KIT SECTION E (PRIOR TO BACKFILL)

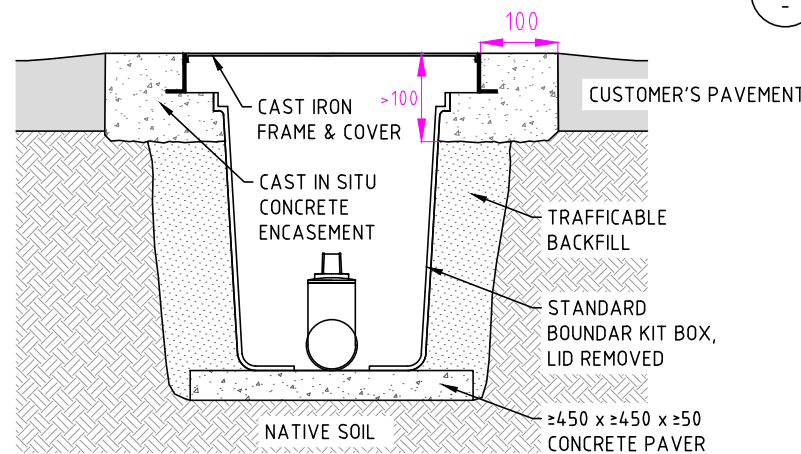


FIGURE 015-G: BOUNDARY KIT SECTION G - TRAFFICABLE

TRAFFICABLE BOUNDARY KIT INSTALLATION:

1. Utilise the same boundary kit box as for non-trafficable situations.
2. Remove and dispose of plastic lid.
3. Place 450 x 300 hinged lid cast iron frame & cover directly on top (Deks or approved equivalent).
4. Cast in place the cast iron frame in concrete.

EMBEDMENT AND BACKFILL NOTES:

- a. Embedment of trench constructed pipe as per MRWA-W-202.
- b. Refer MRWA Backfill Specification 04-03
- c. Granular backfill required in trafficable areas. Granular backfill maybe imported Class 4 FCR or native cohesionless soils free of significant clay content (ie: < 5% clay).
- e. Cohesionless soils with <20% clay required in non-trafficable areas. Where native soils are not cohesionless, granular backfill shall be used.
- c. Use hand held tamping plate compaction device.

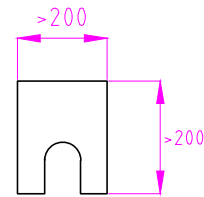


FIGURE 015-J: SOIL EXCLUSION BOARD

- Required where the pressure pipe is a loose fit through end of boundary kit box and backfill will flow into the boundary kit.
- Construct from ≥4mm thick PE or Aluminium.
- Shape as required to fit with concrete paver and boundary kit in use.
- Fasten in place with galvanised or SS316 Tek screws.

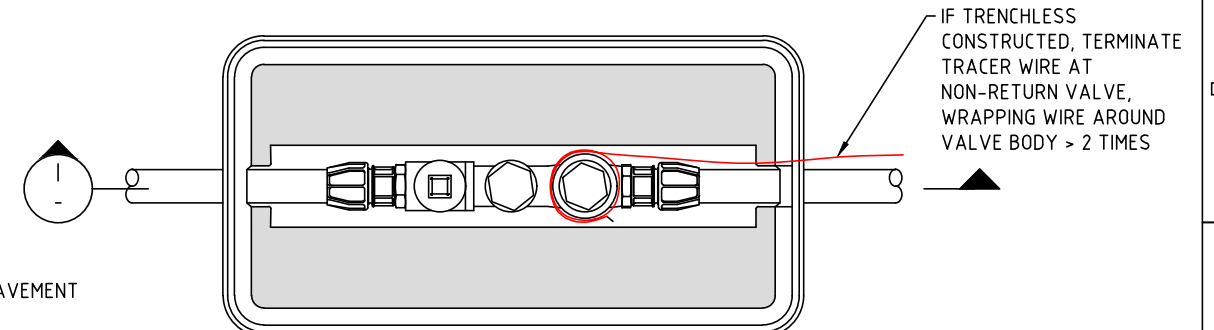


FIGURE 015-H: BOUNDARY KIT PLAN VIEW - LID REMOVED

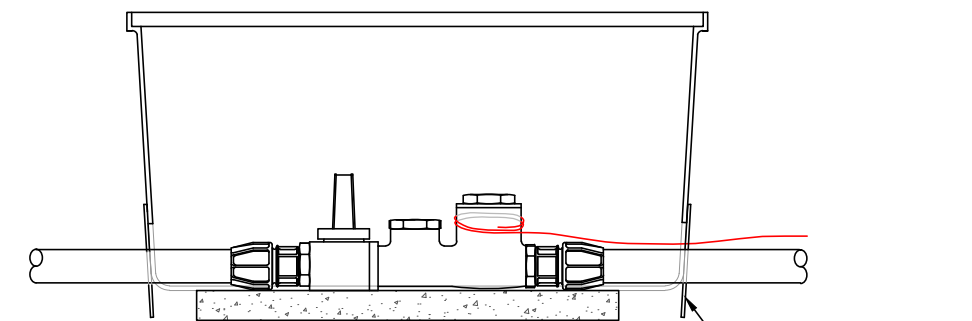


FIGURE 015-I: BOUNDARY KIT SECTION I (PRIOR TO BACKFILL)

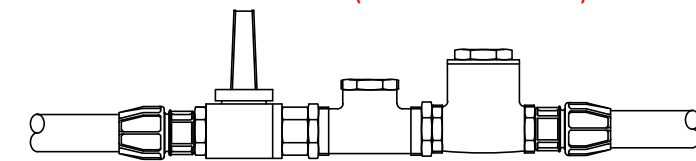


FIGURE 015-K: ALTERNATE VALVE ASSEMBLY (SEPARATE FITTINGS)

VALVE KIT NOTES:

1. All metallic fittings shall be fabricated from SS316 or better.
2. Boundary kit valves shall be fitted with spindle caps (not handles).

All dimensions are in mm unless otherwise stated				Copyright "This document is and shall remain the property of South East Water Corporation. This document may only be used for the purpose for which it was commissioned and in accordance with the Terms of engagement for the commission. Unauthorised use of this document in any way is prohibited."		South East Water Corporation 101 Wells St Frankston VIC 3199 T 61 3 131 694 E info@sew.com.au www.sew.com.au		DESIGNED: R. JAGGER		DRAWN: R. JAGGER		SOUTH EAST WATER CORPORATION PRESSURE SEWER SYSTEM STANDARDS TAPPING ARRANGEMENTS, AND BOUNDARY KIT INSTALLATION		PLAN TYPE: CIVIL SCALE: N.T.S.	
1	FIRST PUBLISHED VERSION	SEP 20	C.P	CAD FILE NO. SEW_PSS_010.DWG		MELWAY REFERENCE N/A	A1	SEW DWG. NO.	DESIGN CHECK: C. PAXMAN	DRAFT CHECK: C. PAXMAN	DRAWING NUMBER SEW_PSS_015		1		
0	ISSUED FOR COMMENT	JULY 19	C.P						APPROVED: C. PAXMAN		NUMERAL		REV		